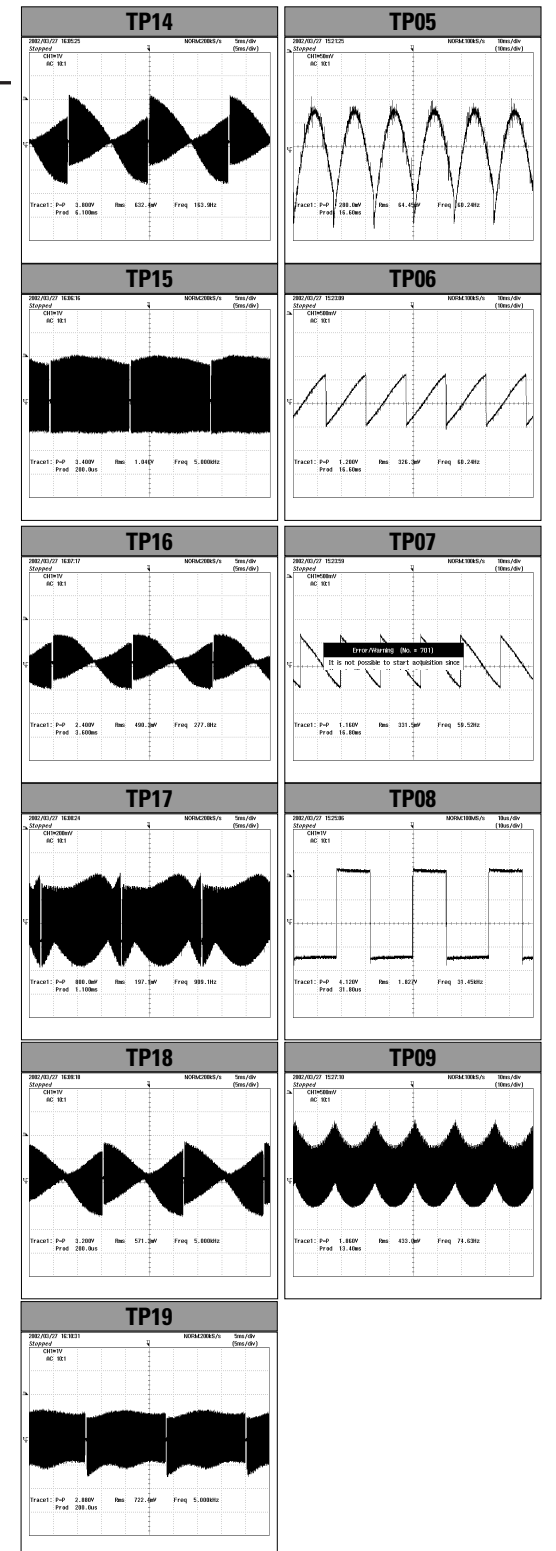
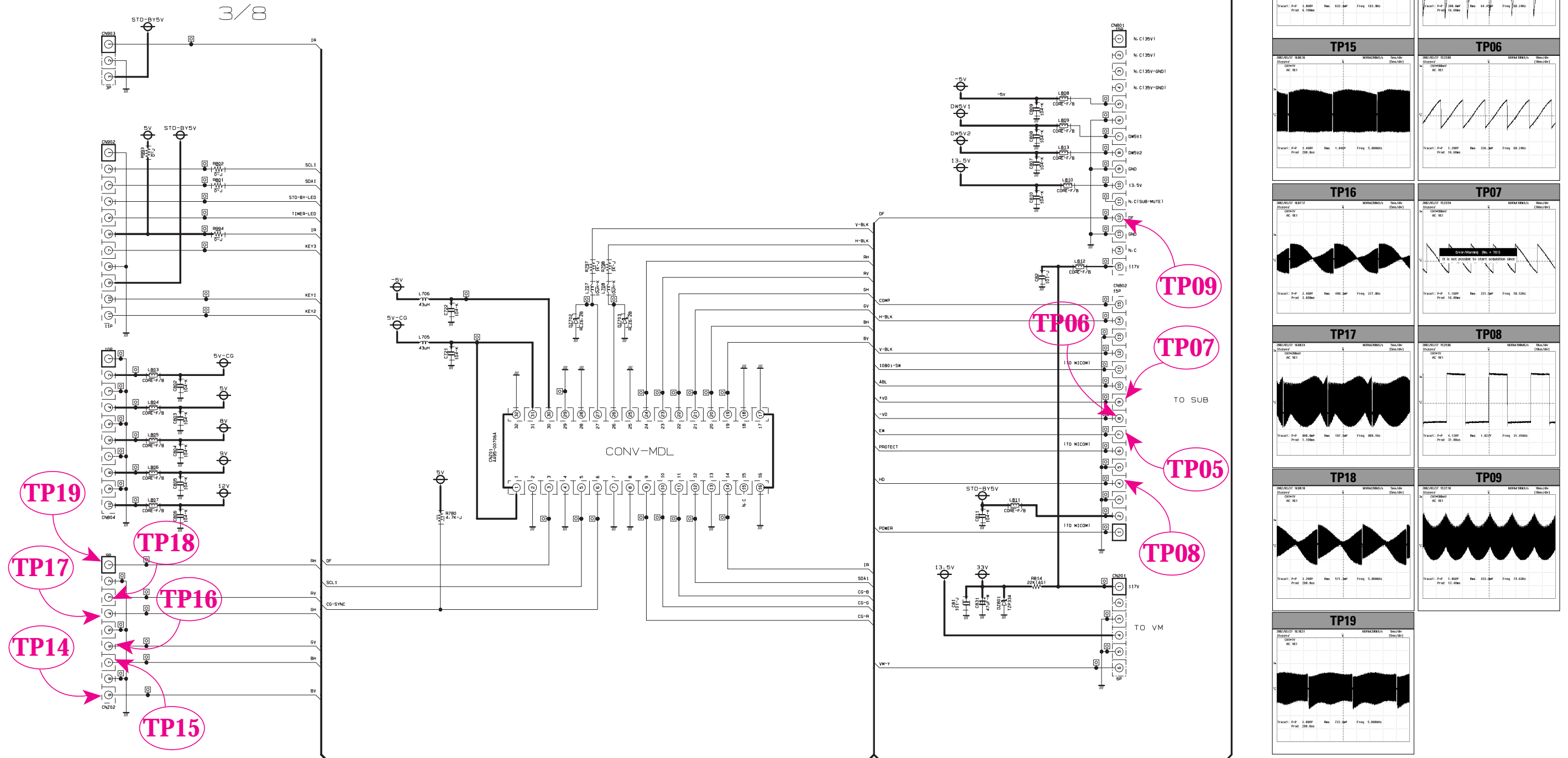






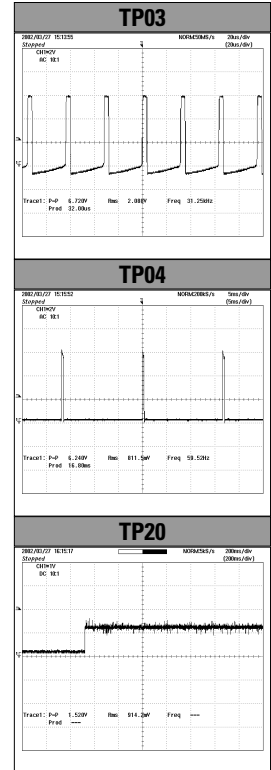
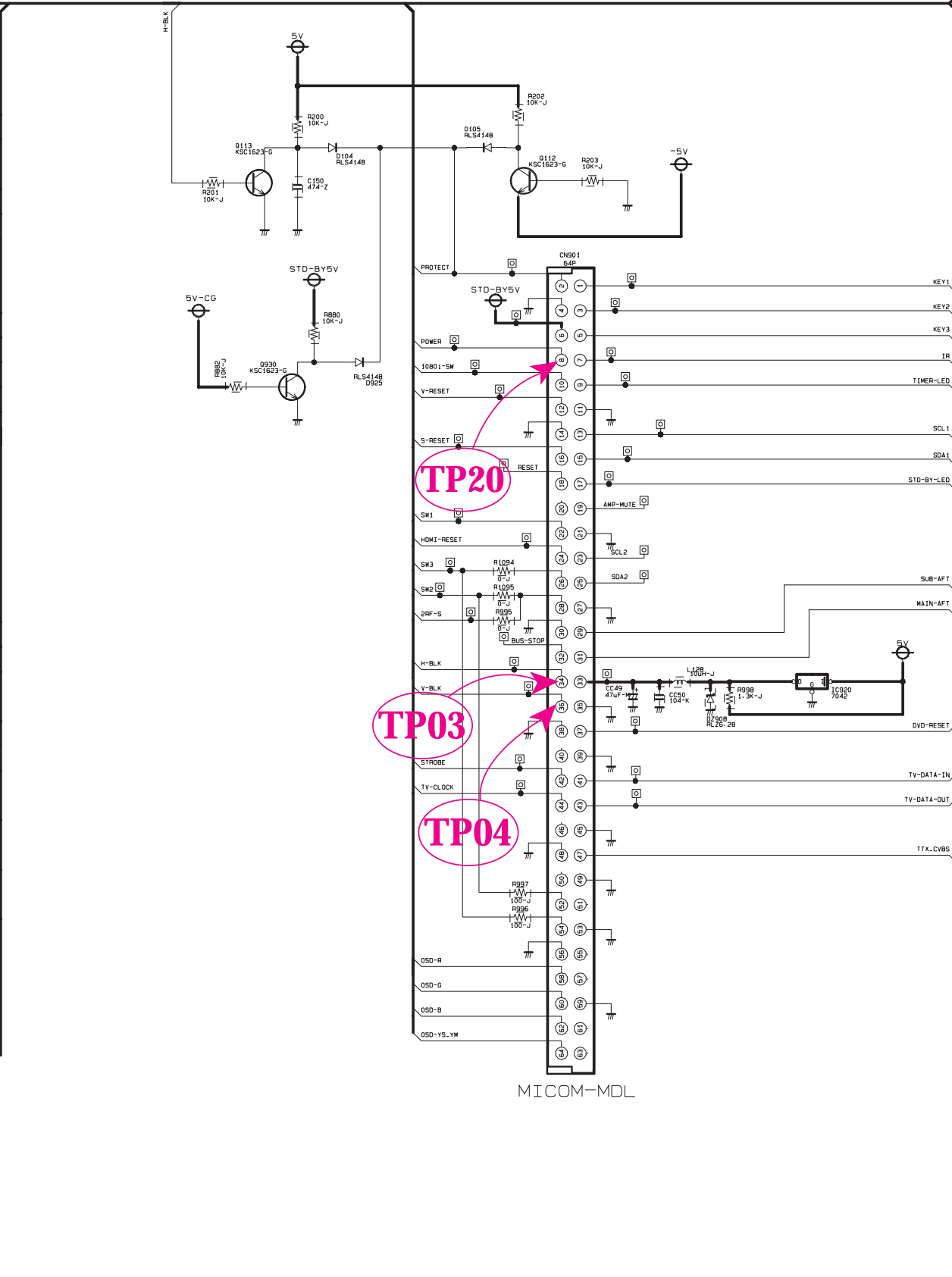
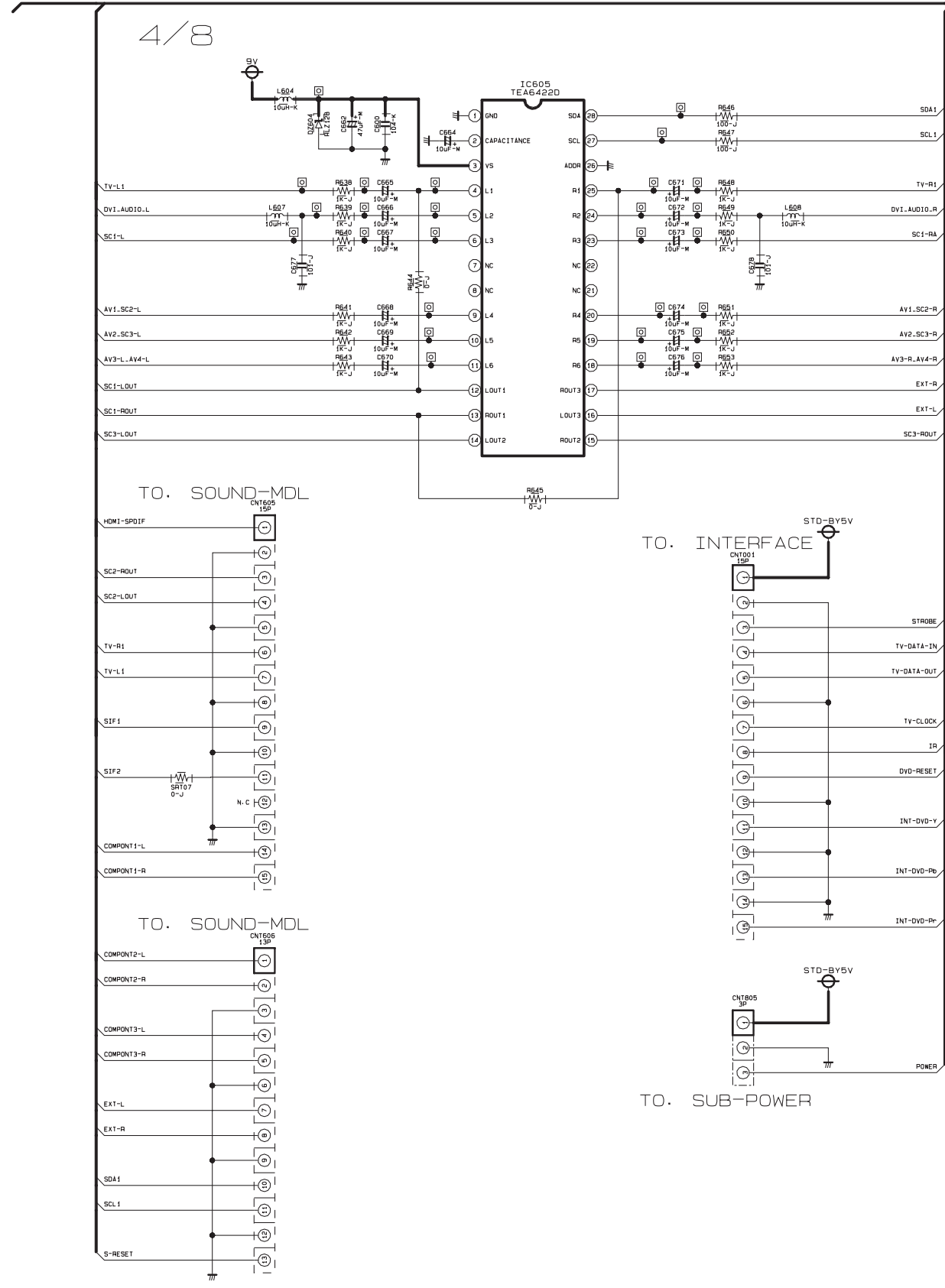
### 7-3 MAIN 3

This Document can not be used without Samsung's authorization.



### 7-4 MAIN 4

This Document can not be used without Samsung's authorization.

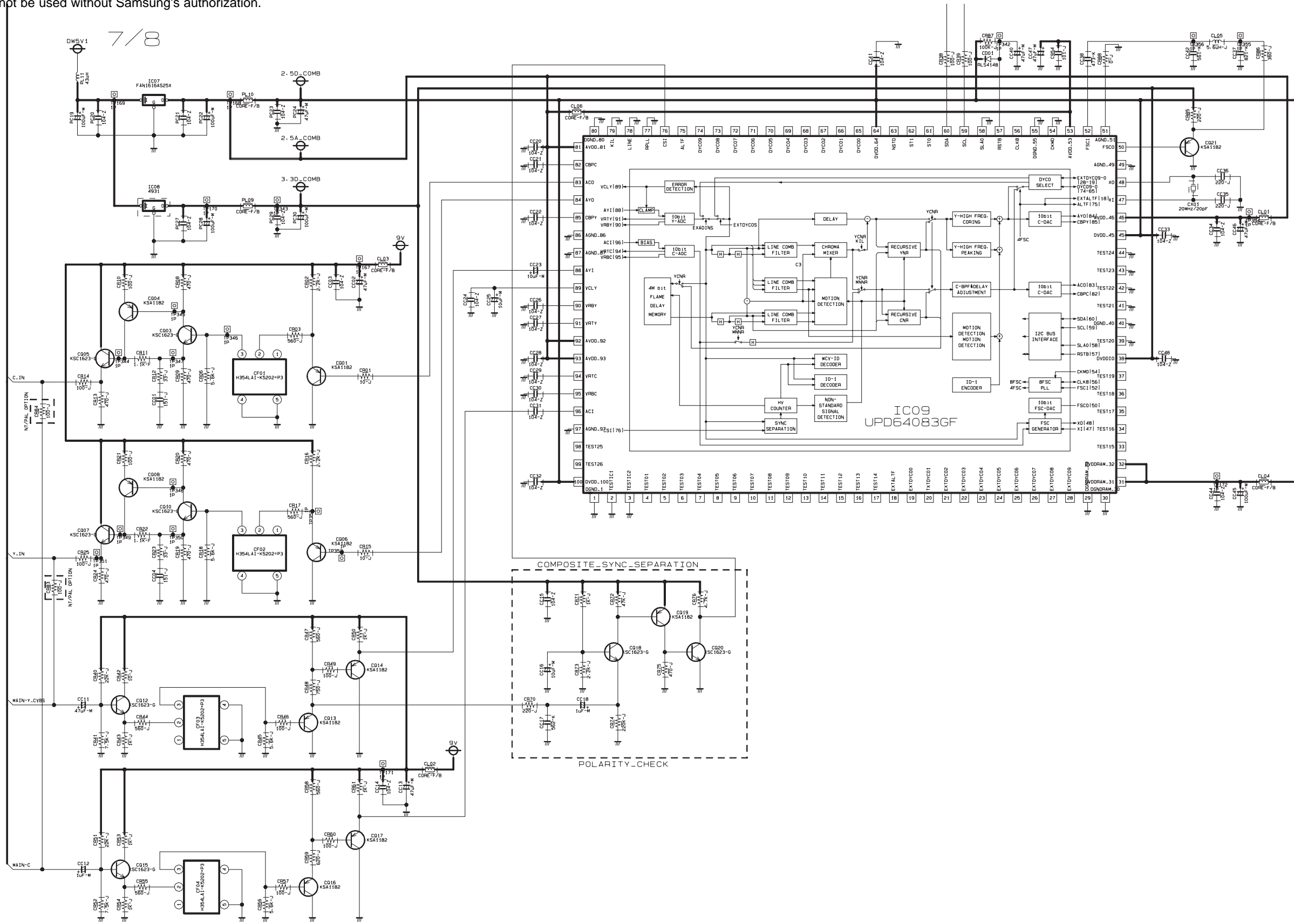






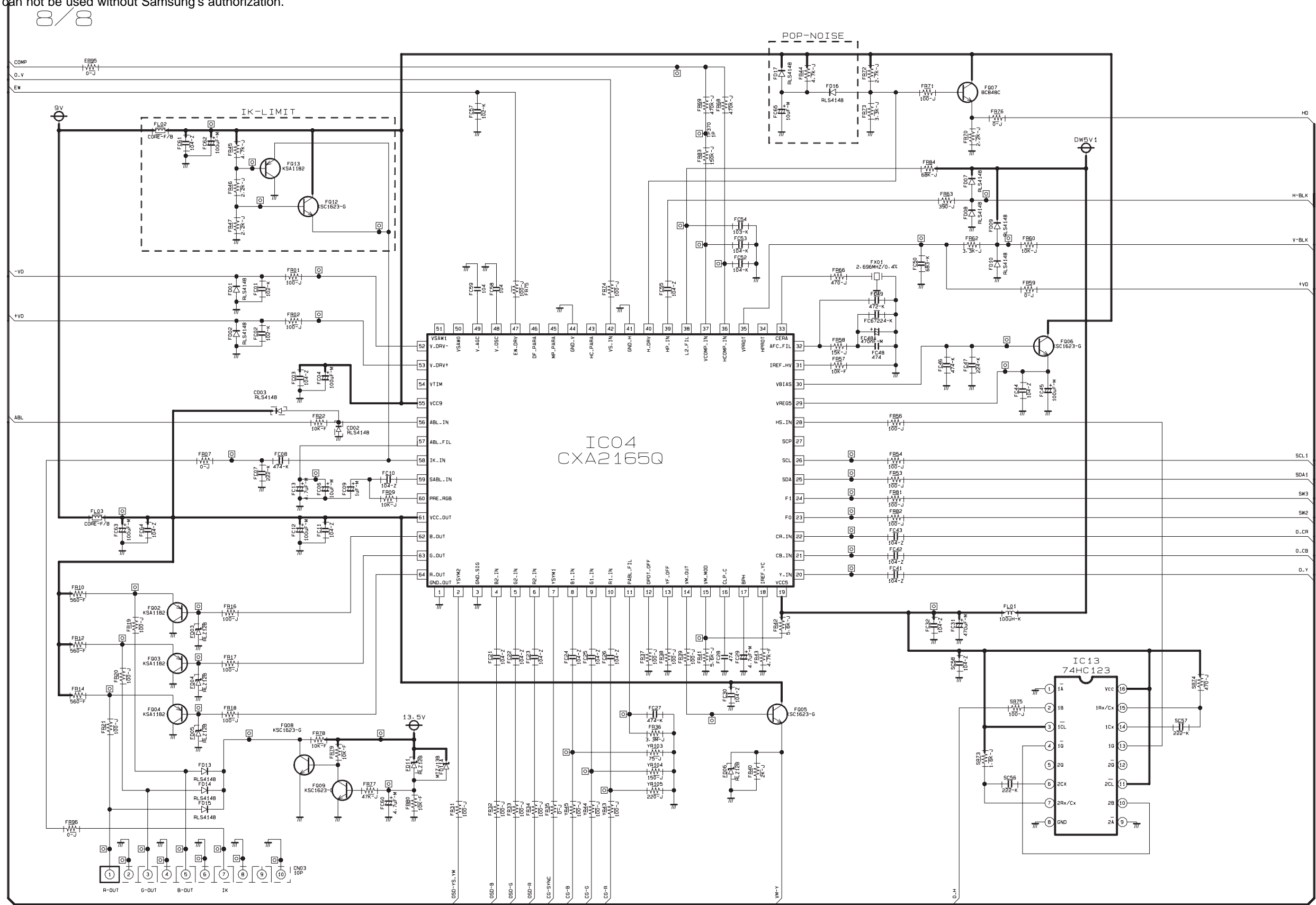
# 7-7 MAIN 7

This Document can not be used without Samsung's authorization.



### 7-8 MAIN 8

This Document can not be used without Samsung's authorization.

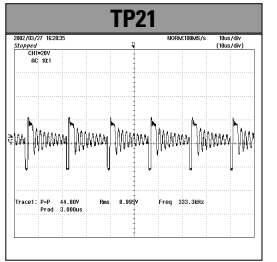
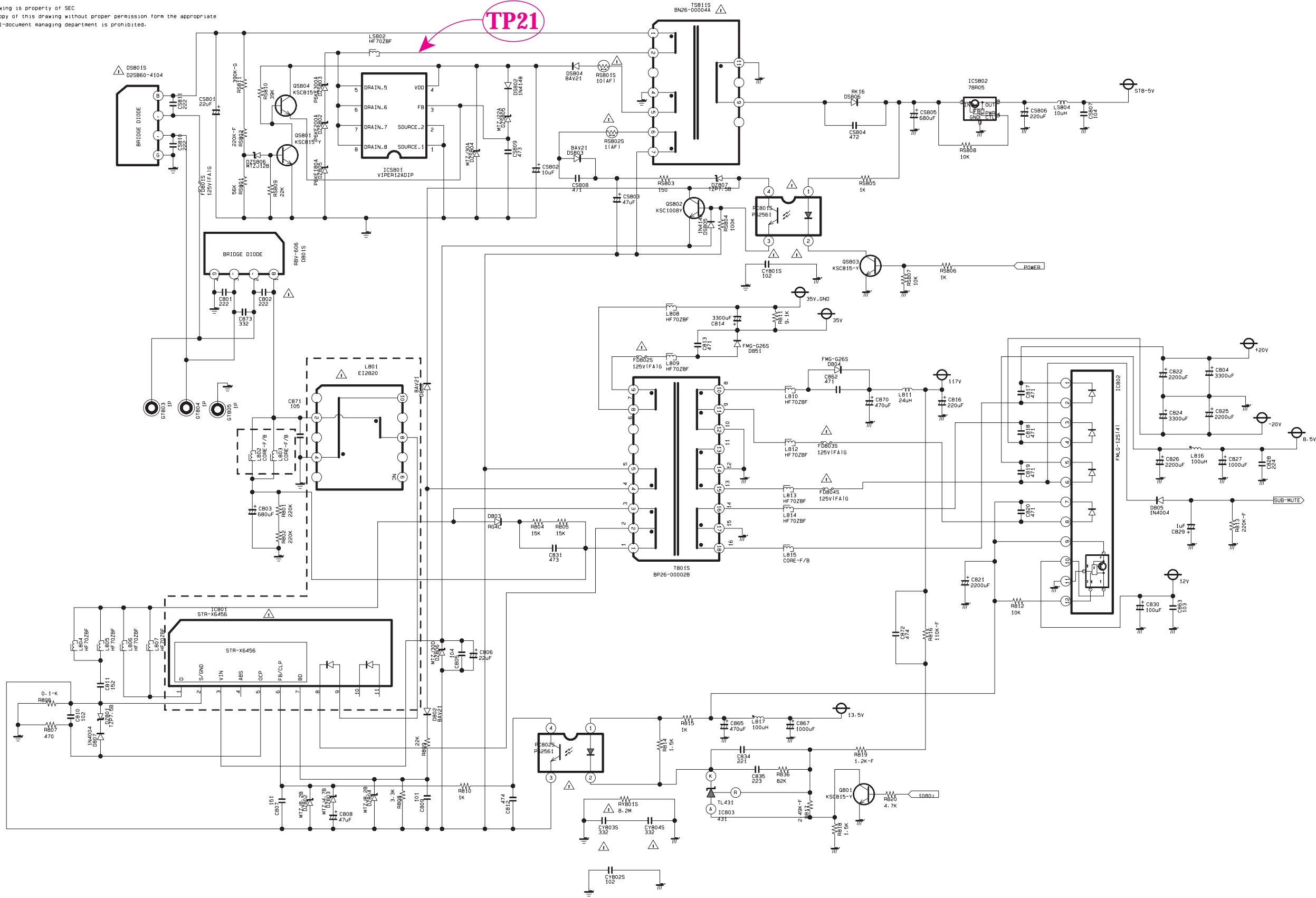




# 7-9 DEFLECTION 1

This Document can not be used without Samsung's authorization.

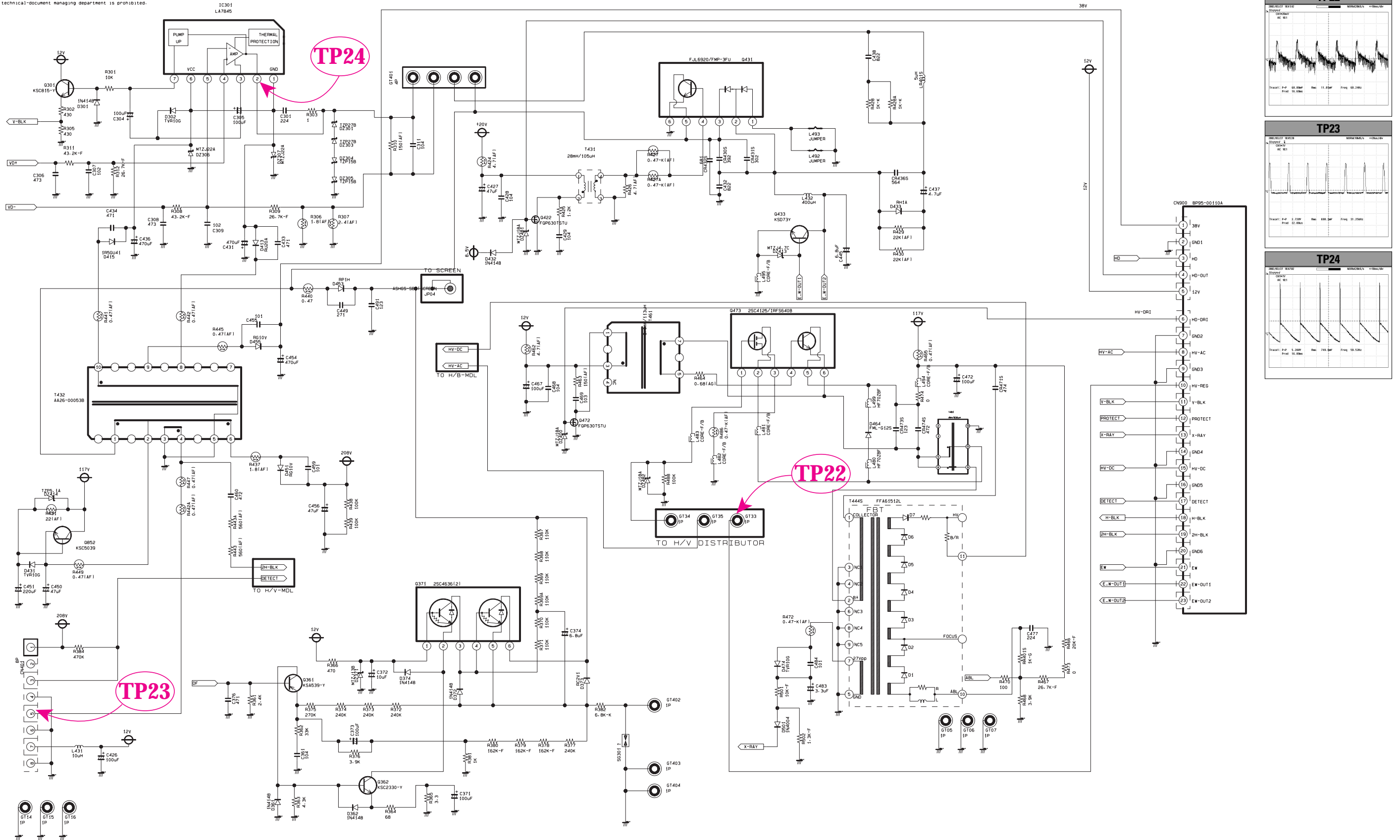
This drawing is property of SEC.  
Use or copy of this drawing without proper permission from the appropriate technical-document managing department is prohibited.



## 7-10 DEFLECTION 2

This Document can not be used without Samsung's authorization.

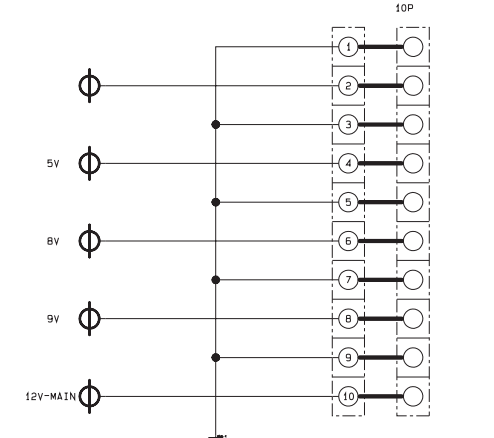
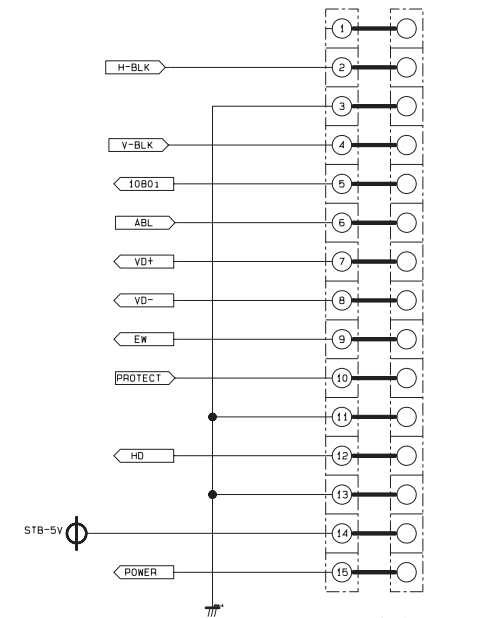
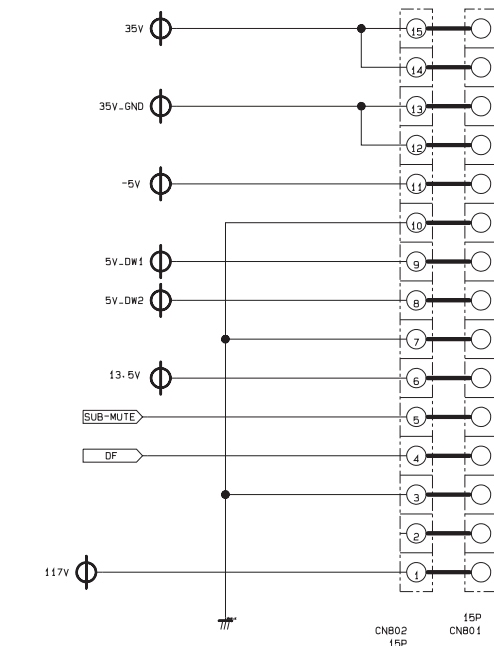
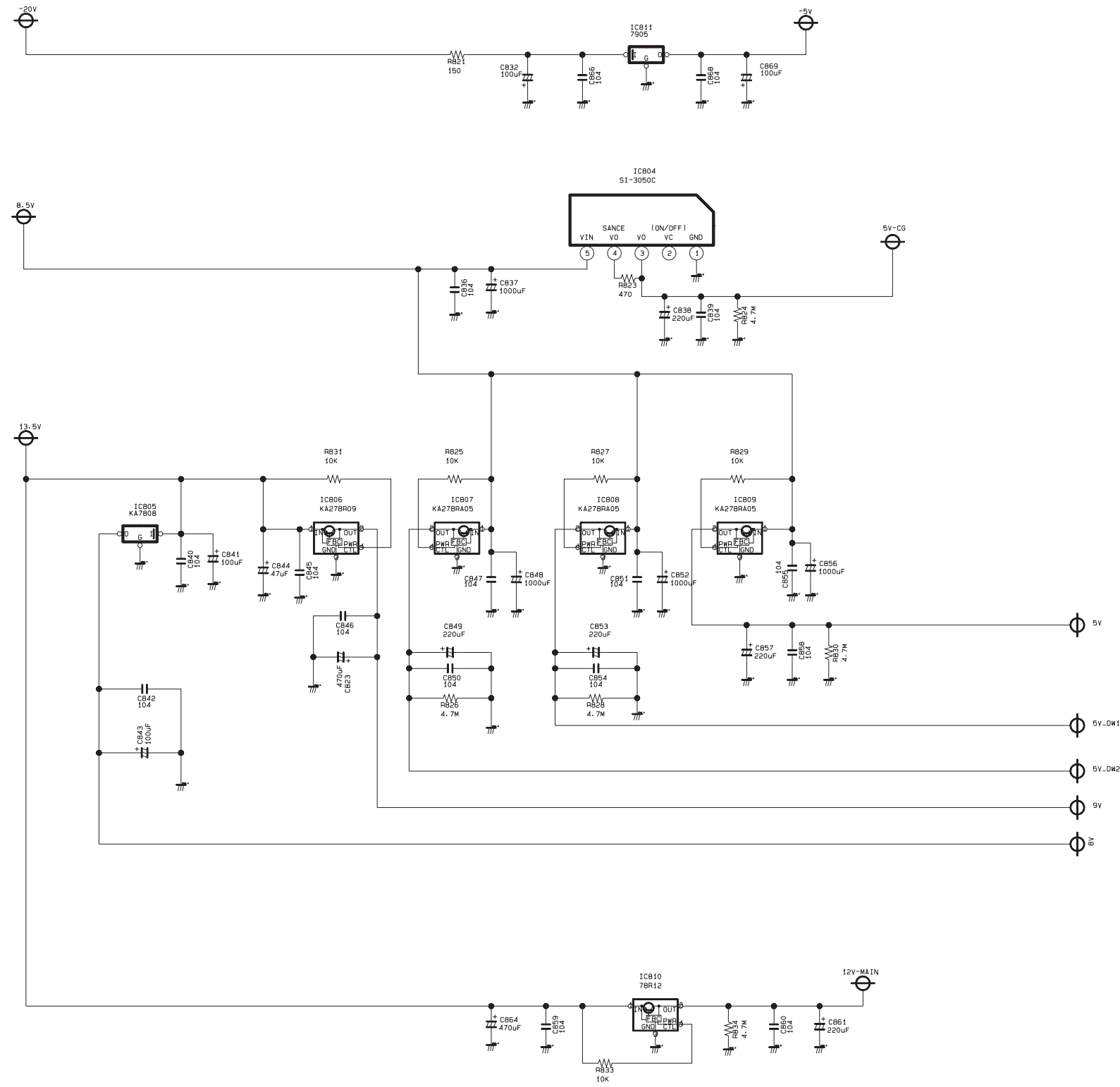
Use or copy of this drawing without proper permission from the appropriate technical-document managing department is prohibited.



### 7-11 DEFLECTION 3

This Document can not be used without Samsung's authorization.

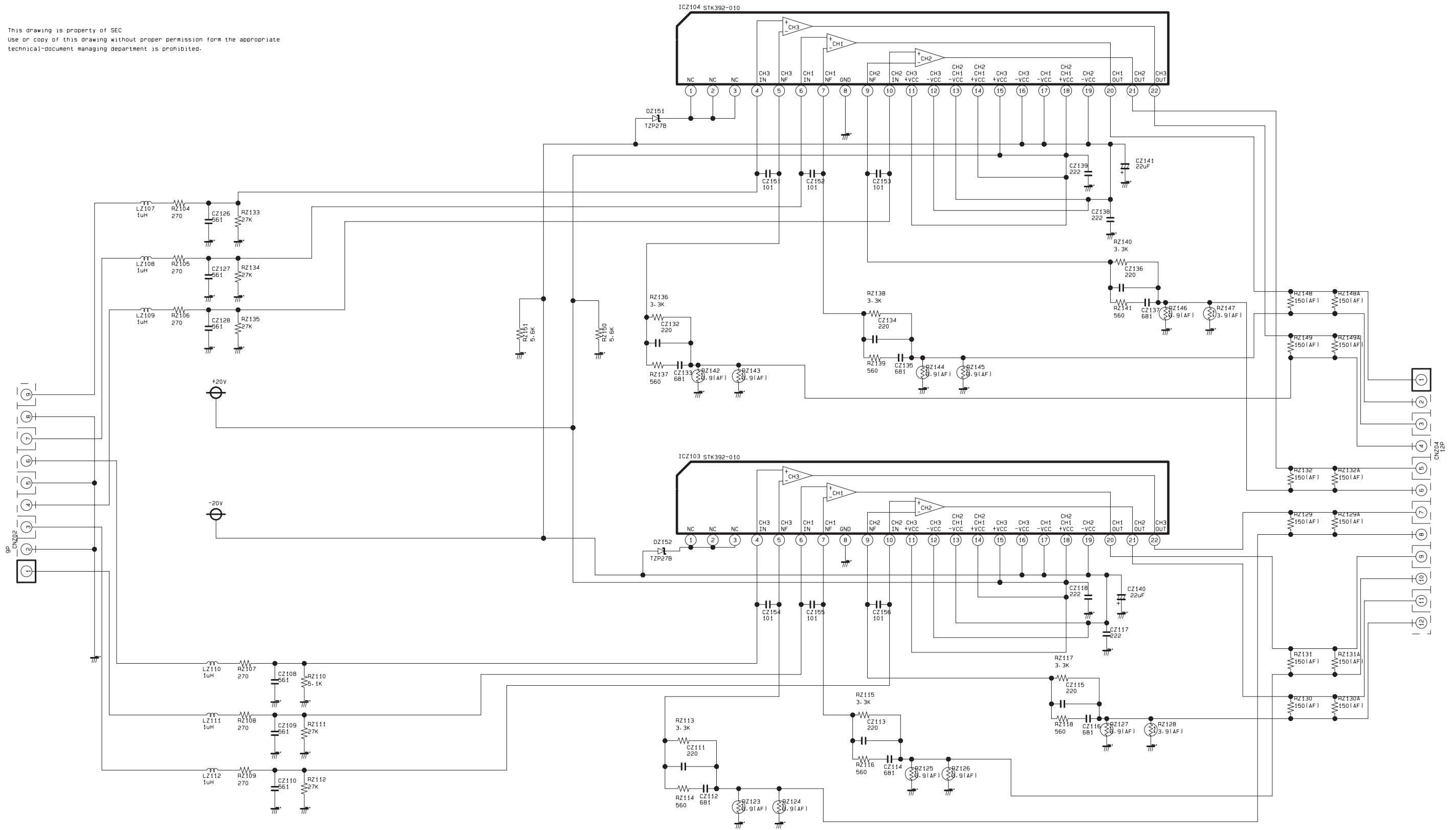
This drawing is property of SEC  
Use or copy of this drawing without proper permission from the appropriate  
technical-document managing department is prohibited.



## 7-12 DEFLECTION 4

This Document can not be used without Samsung's authorization.

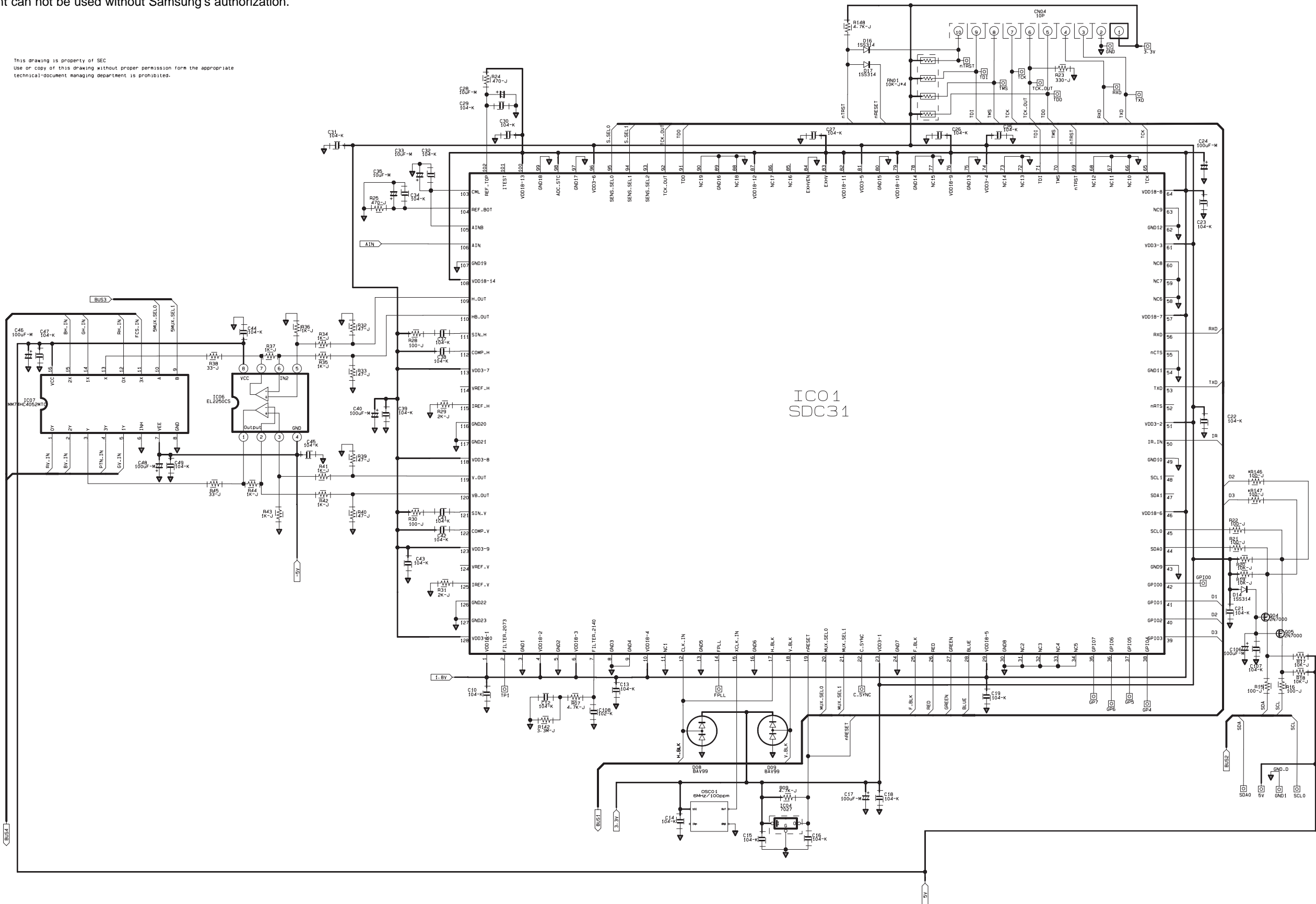
This drawing is property of SEC  
Use or copy of this drawing without proper permission from the appropriate  
technical-document managing department is prohibited.



# 7-13 CONVERGENCE 1

This Document can not be used without Samsung's authorization.

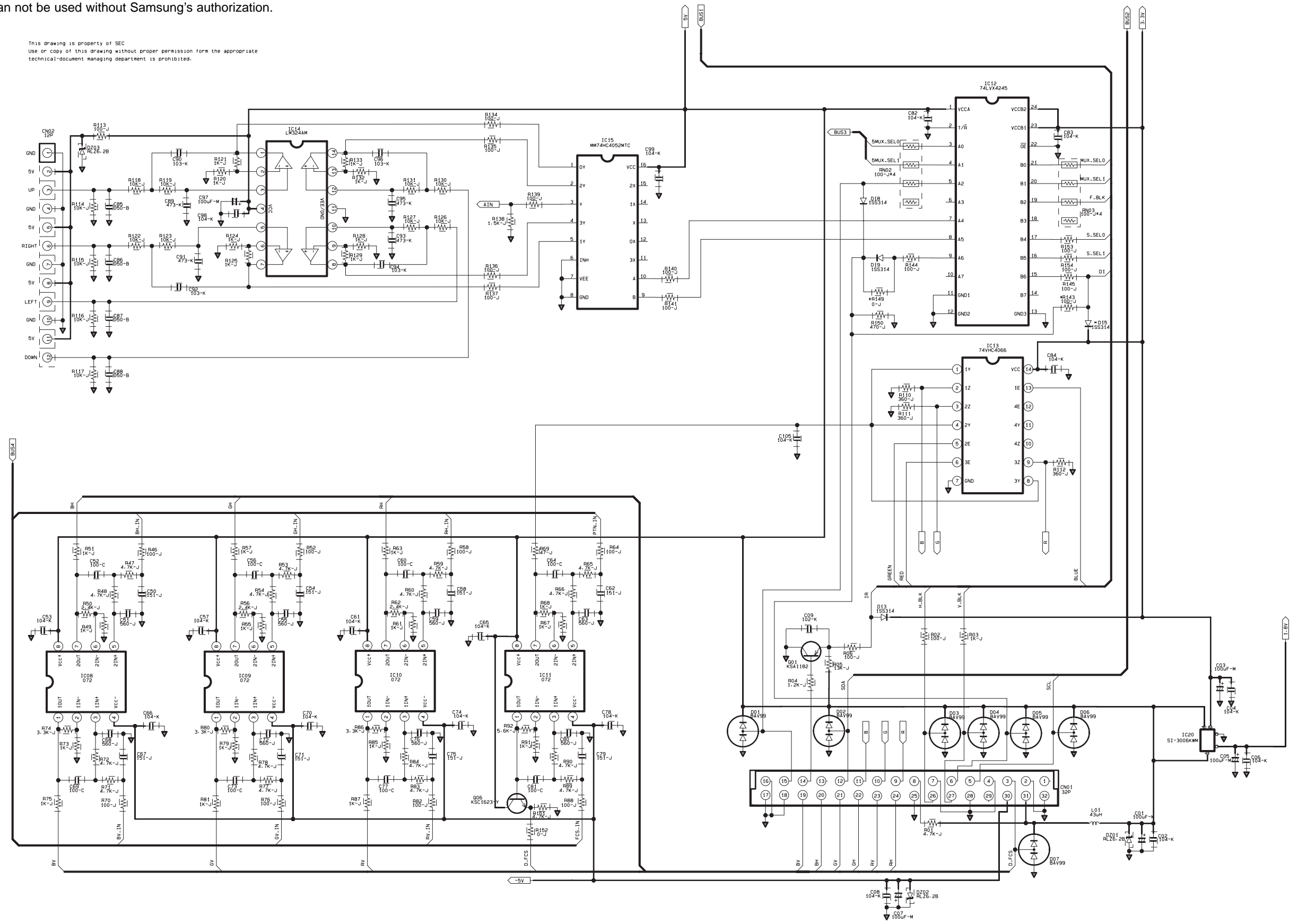
This drawing is property of SEC  
Use or copy of this drawing without proper permission from the appropriate  
technical-document managing department is prohibited.



### 7-14 CONVERGENCE 2

This Document can not be used without Samsung's authorization.

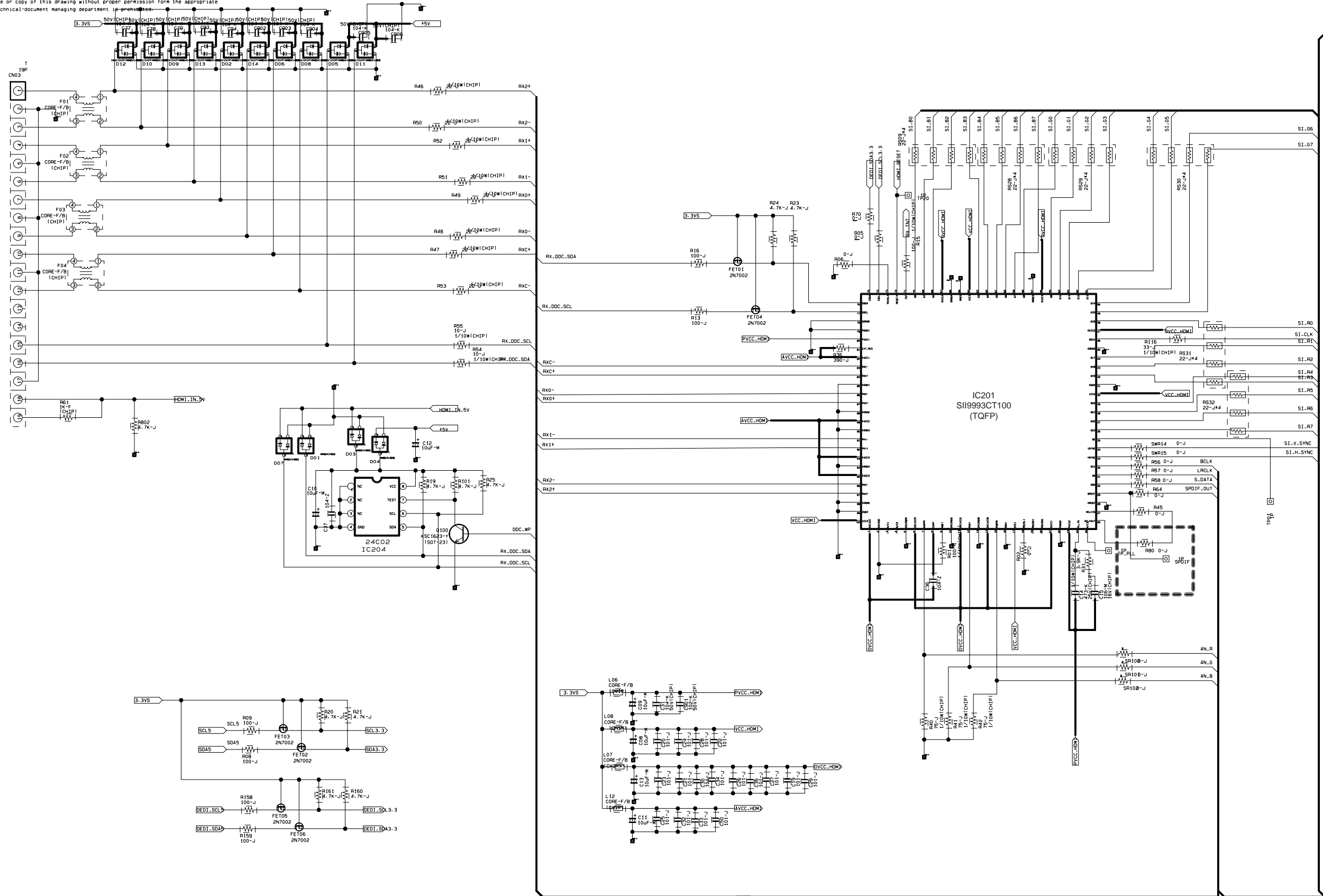
This drawing is property of SEC  
 Use or copy of this drawing without proper permission from the appropriate  
 technical-document managing department is prohibited.



# 7-15 HDMI 1

This Document can not be used without Samsung's authorization.

This drawing is property of SEC.  
Use or copy of this drawing without proper permission from the appropriate technical-document managing department is prohibited.



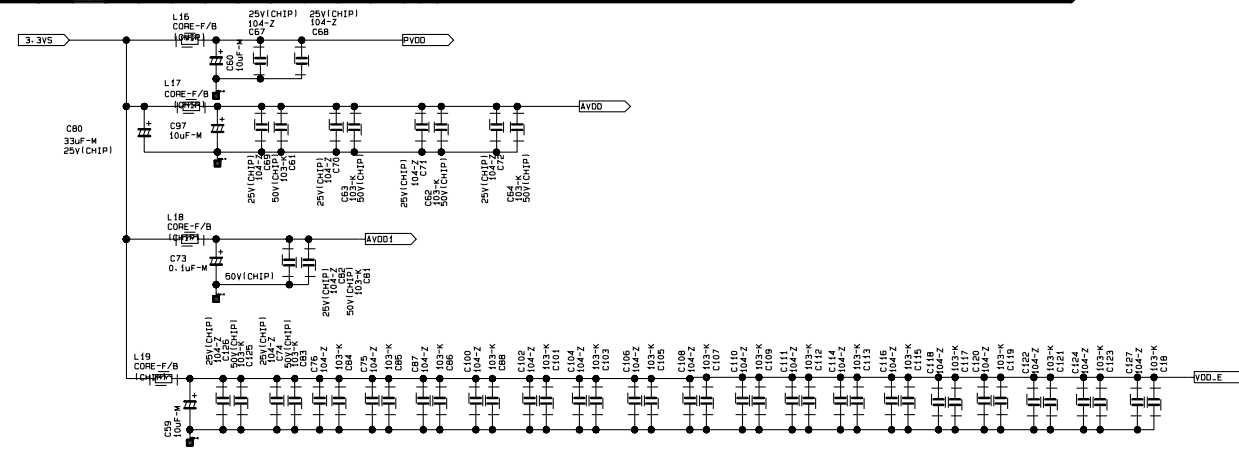
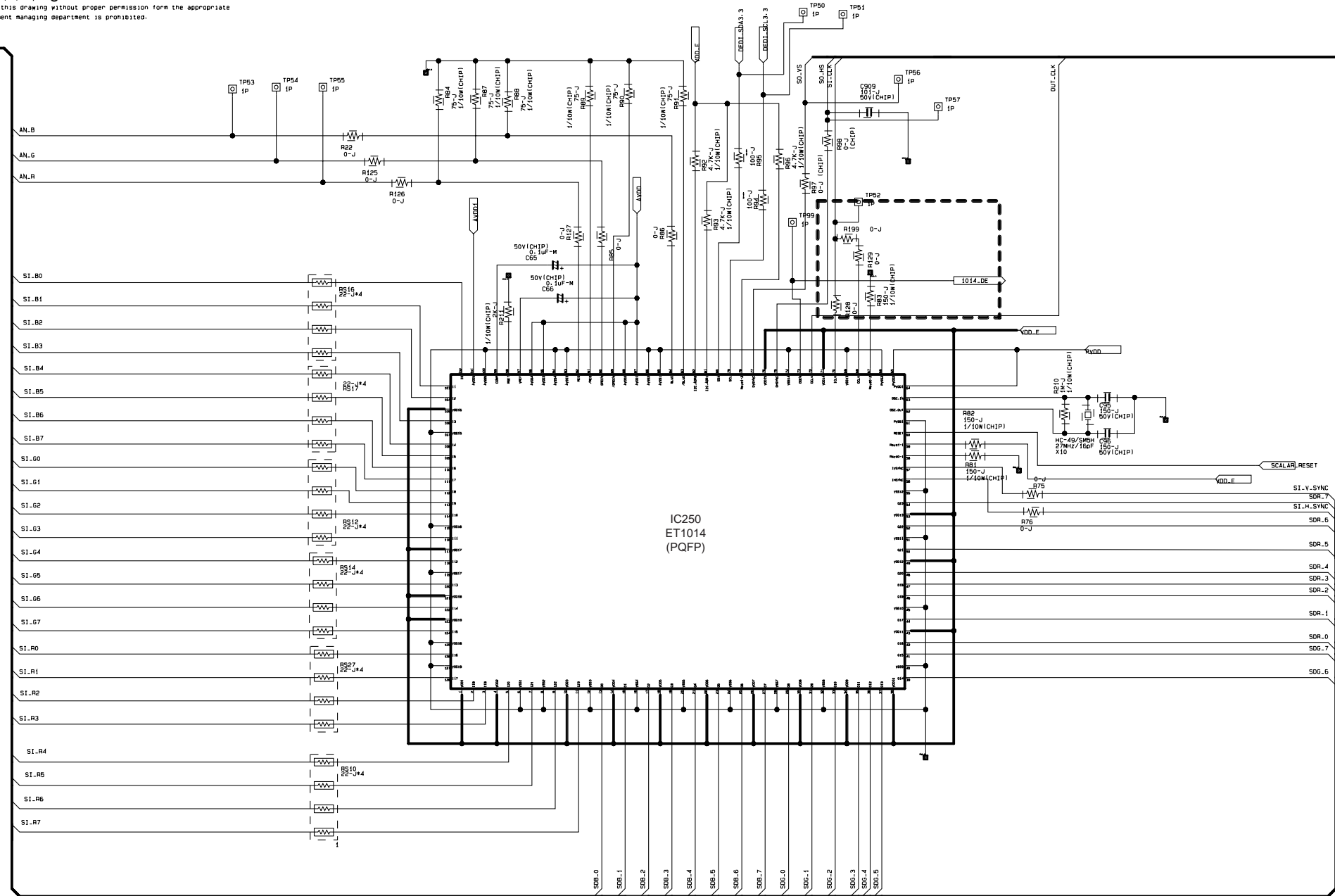




### 7-17 HDMI 3

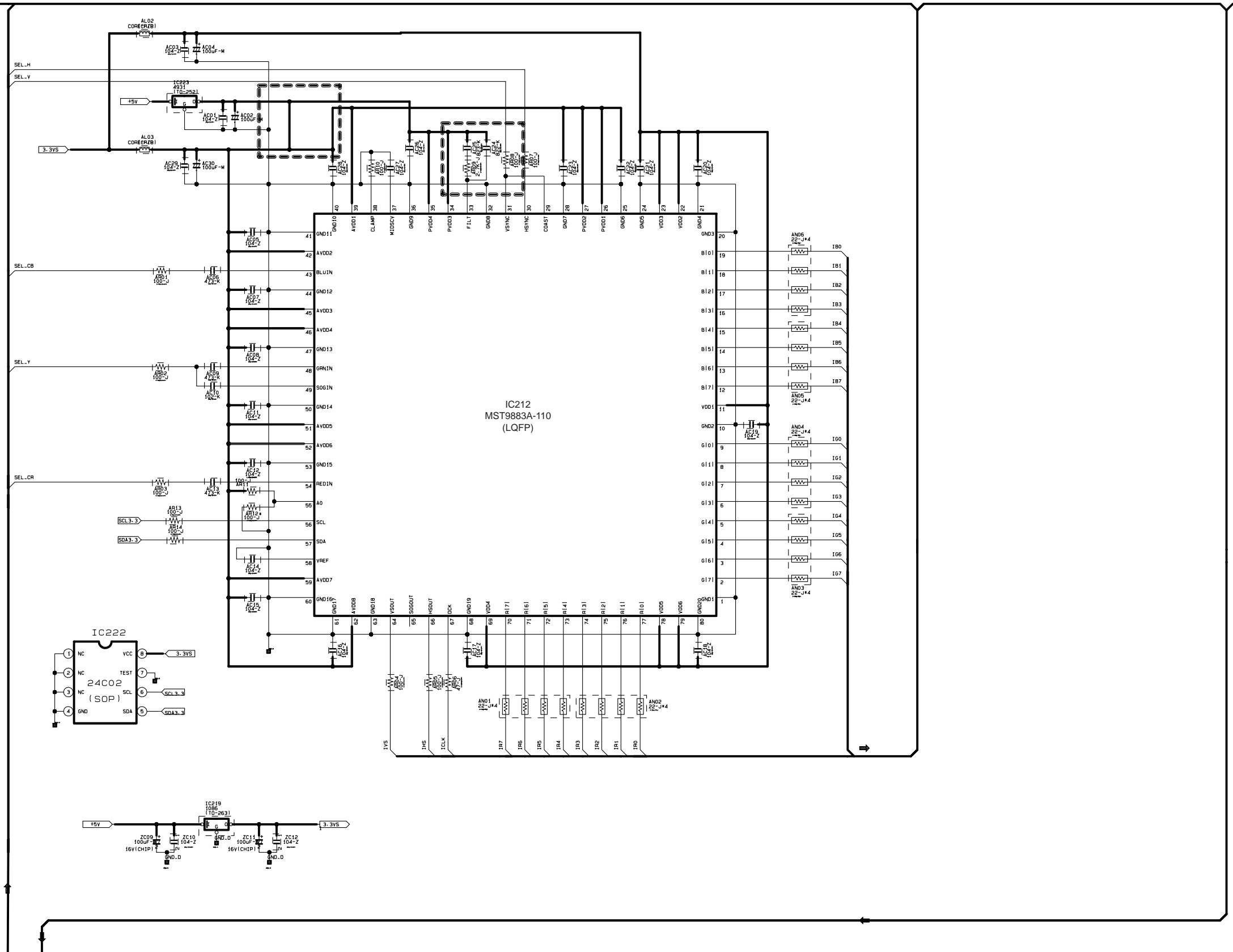
This Document can not be used without Samsung's authorization.

Use or copy of this drawing without proper permission from the appropriate technical-document managing department is prohibited.



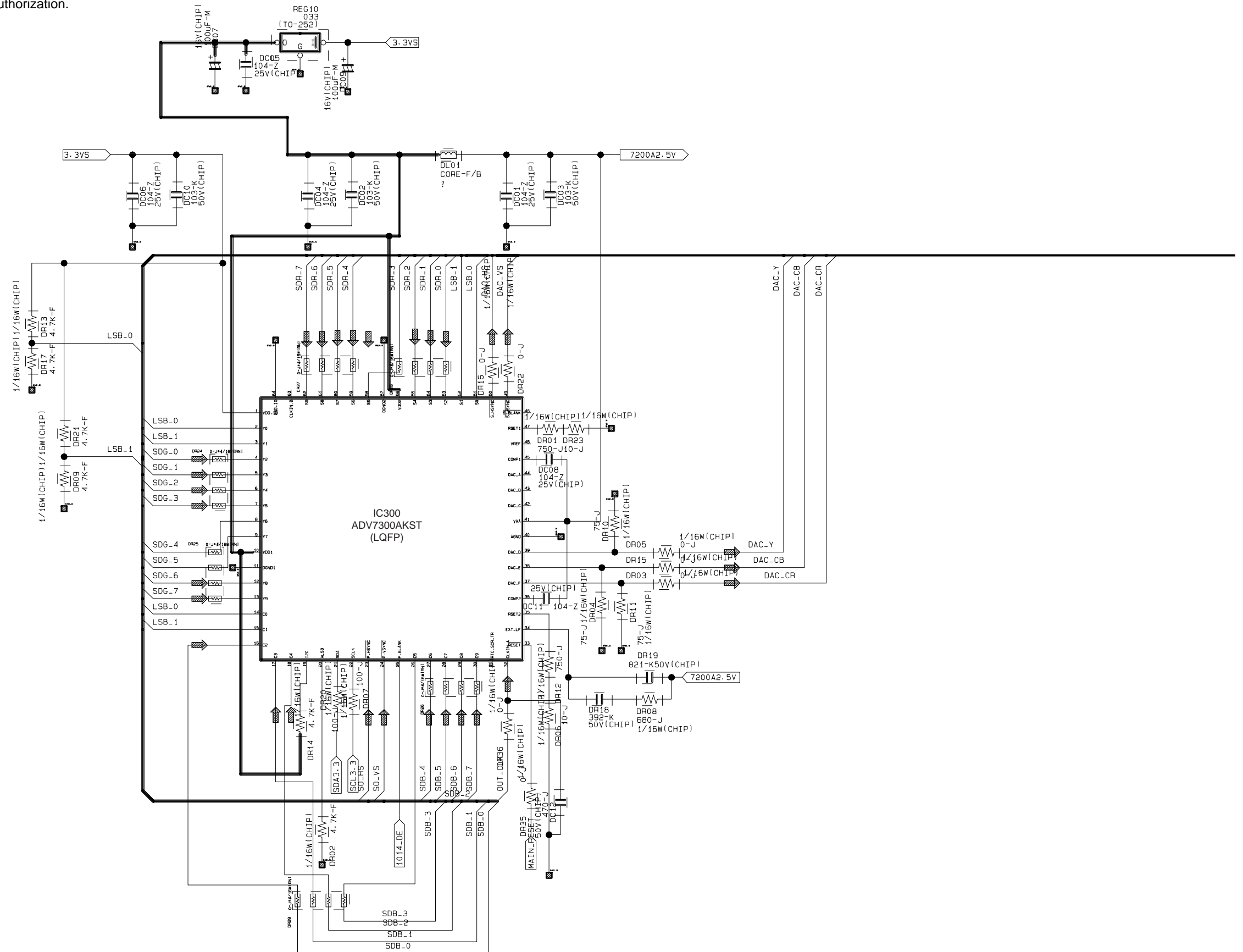
### 7-18 HDMI 4

This Document can not be used without Samsung's authorization.



### 7-19 HDMI 5

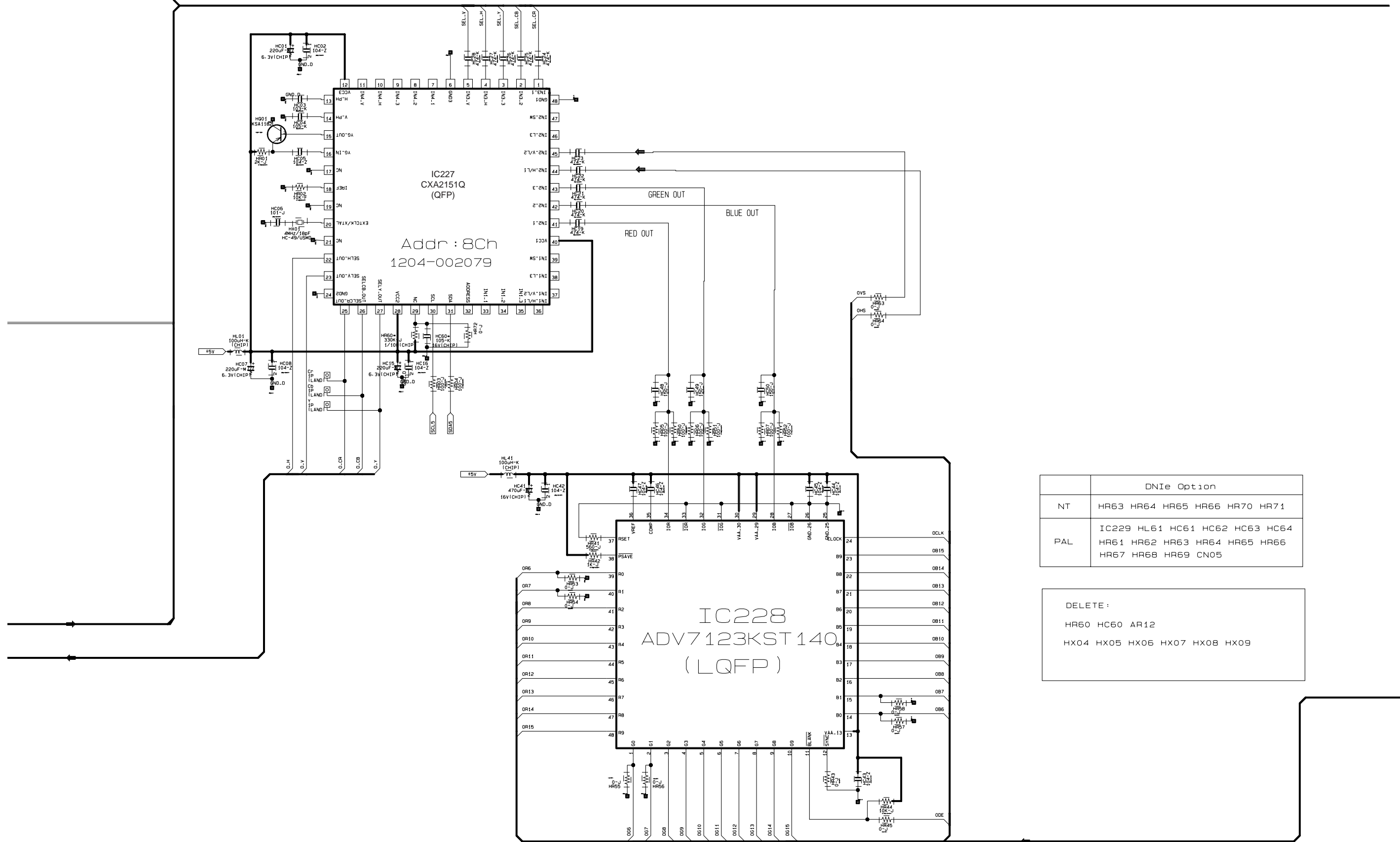
This Document can not be used without Samsung's authorization.





### 7-21 HDMI 7

This Document can not be used without Samsung's authorization.



DNiE Option	
NT	HR63 HR64 HR65 HR66 HR70 HR71
PAL	IC229 HL61 HC61 HC62 HC63 HC64 HR61 HR62 HR63 HR64 HR65 HR66 HR67 HR68 HR69 CN05

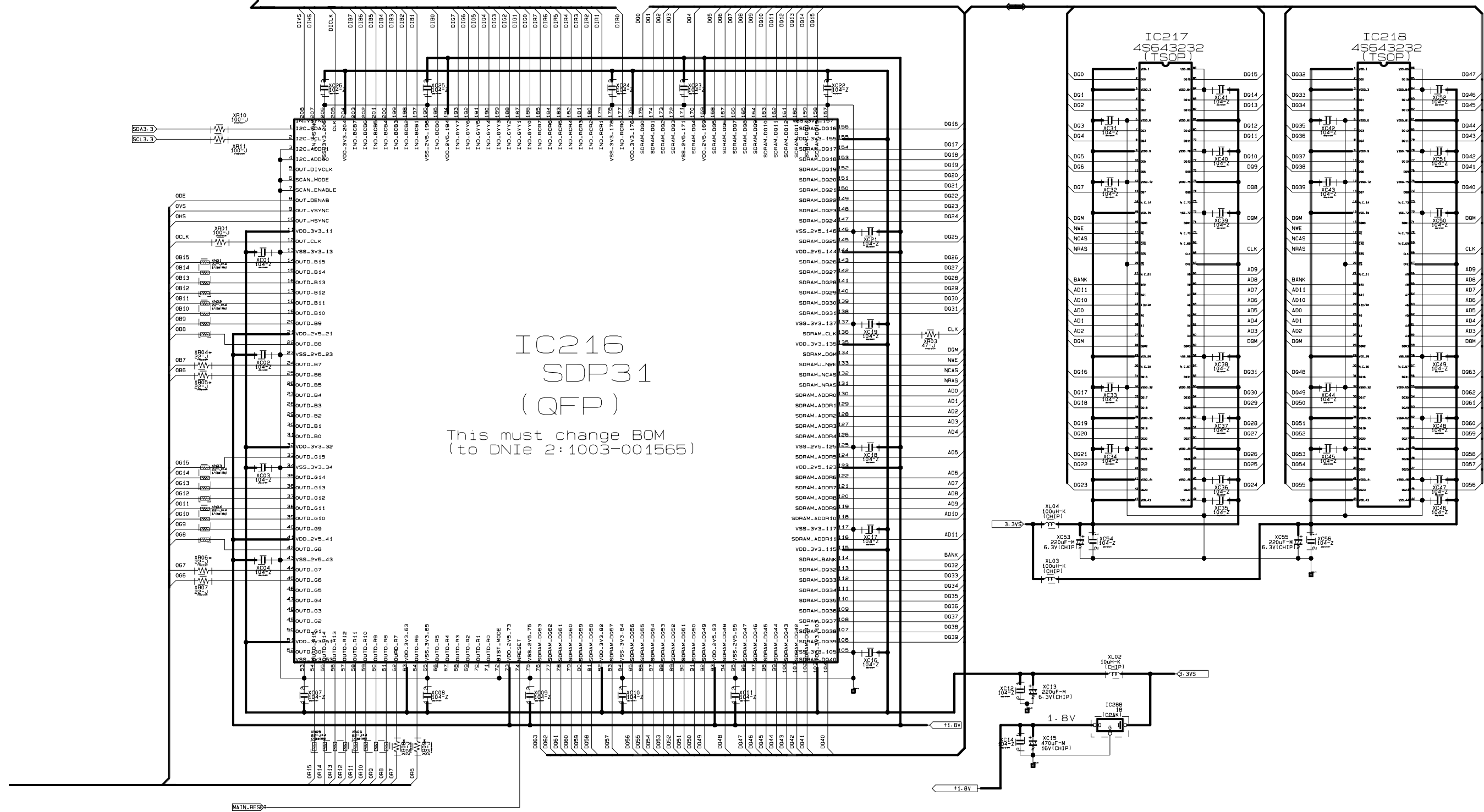
DELETE :

HR60 HC60 AR12

HX04 HX05 HX06 HX07 HX08 HX09

## 7-22 HDMI 8

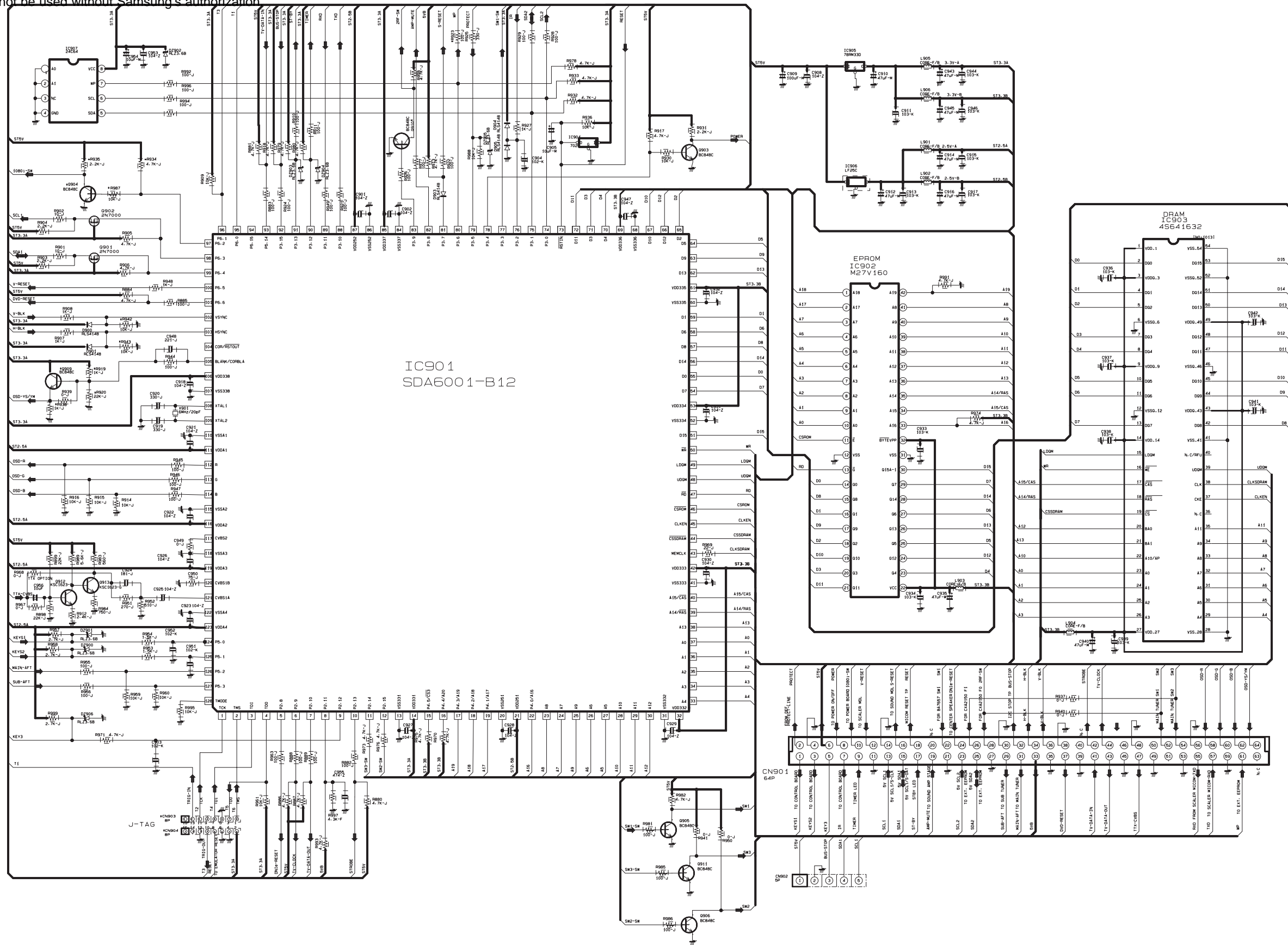
This Document can not be used without Samsung's authorization.



# HDMI & DNIE BLOCK

### 7-23 MICOM

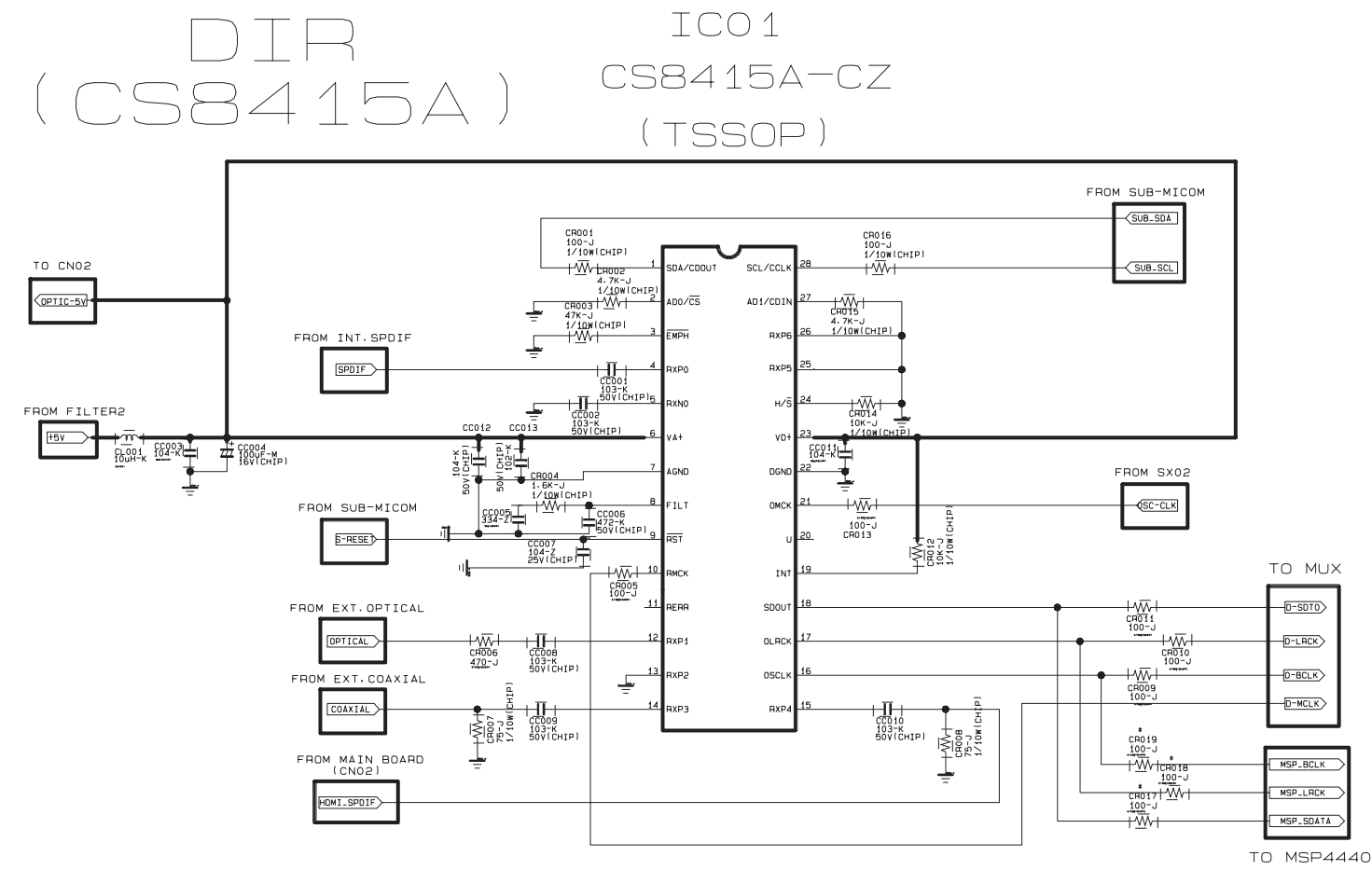
This Document can not be used without Samsung's authorization



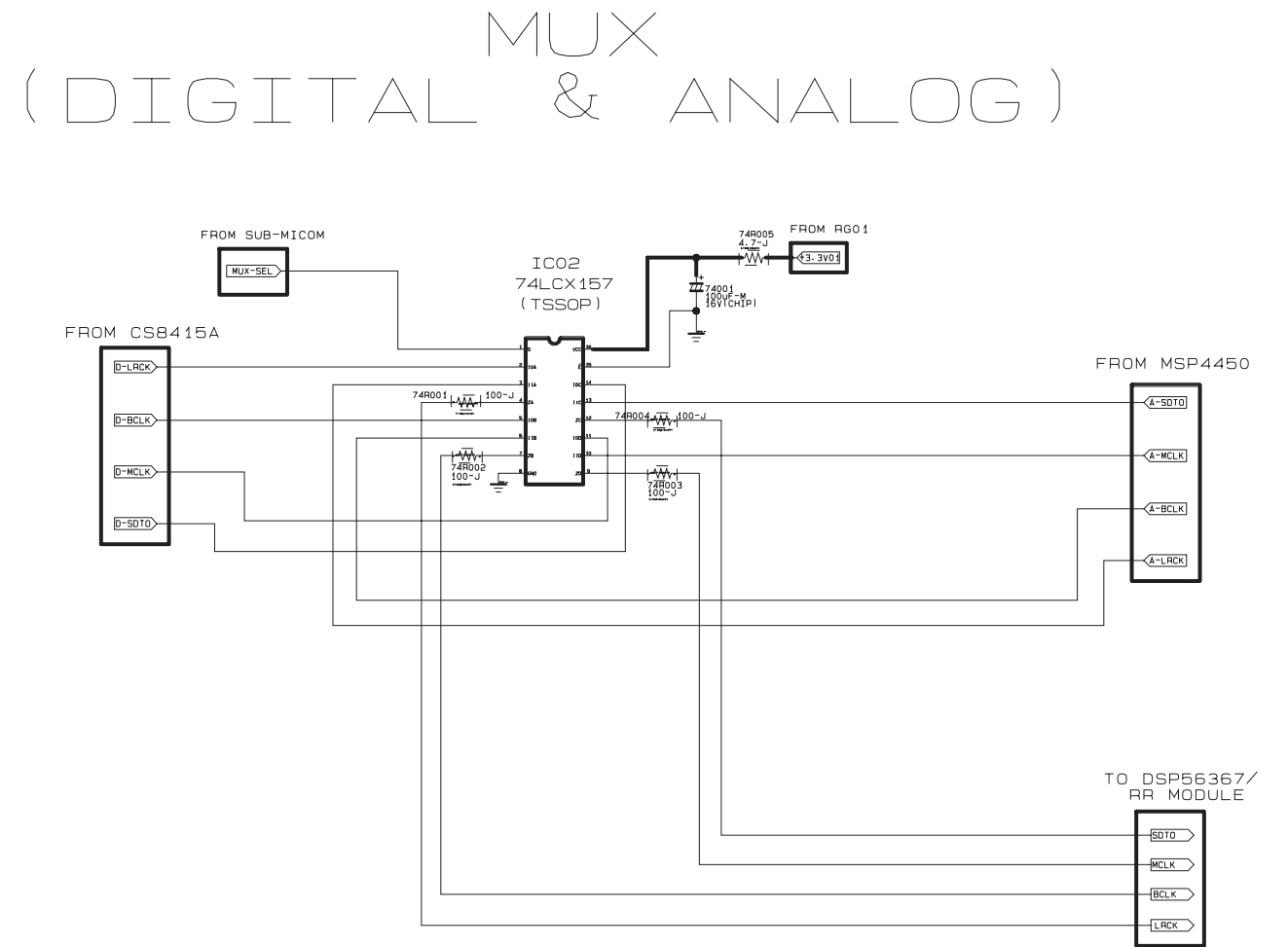
# 7-24 SOUND 1

This Document can not be used without Samsung's authorization.

This drawing is property of SEC  
Use or copy of this drawing without proper permission from the appropriate  
technical-document managing department is prohibited.



This drawing is property of SEC  
Use or copy of this drawing without proper permission from the appropriate  
technical-document managing department is prohibited.



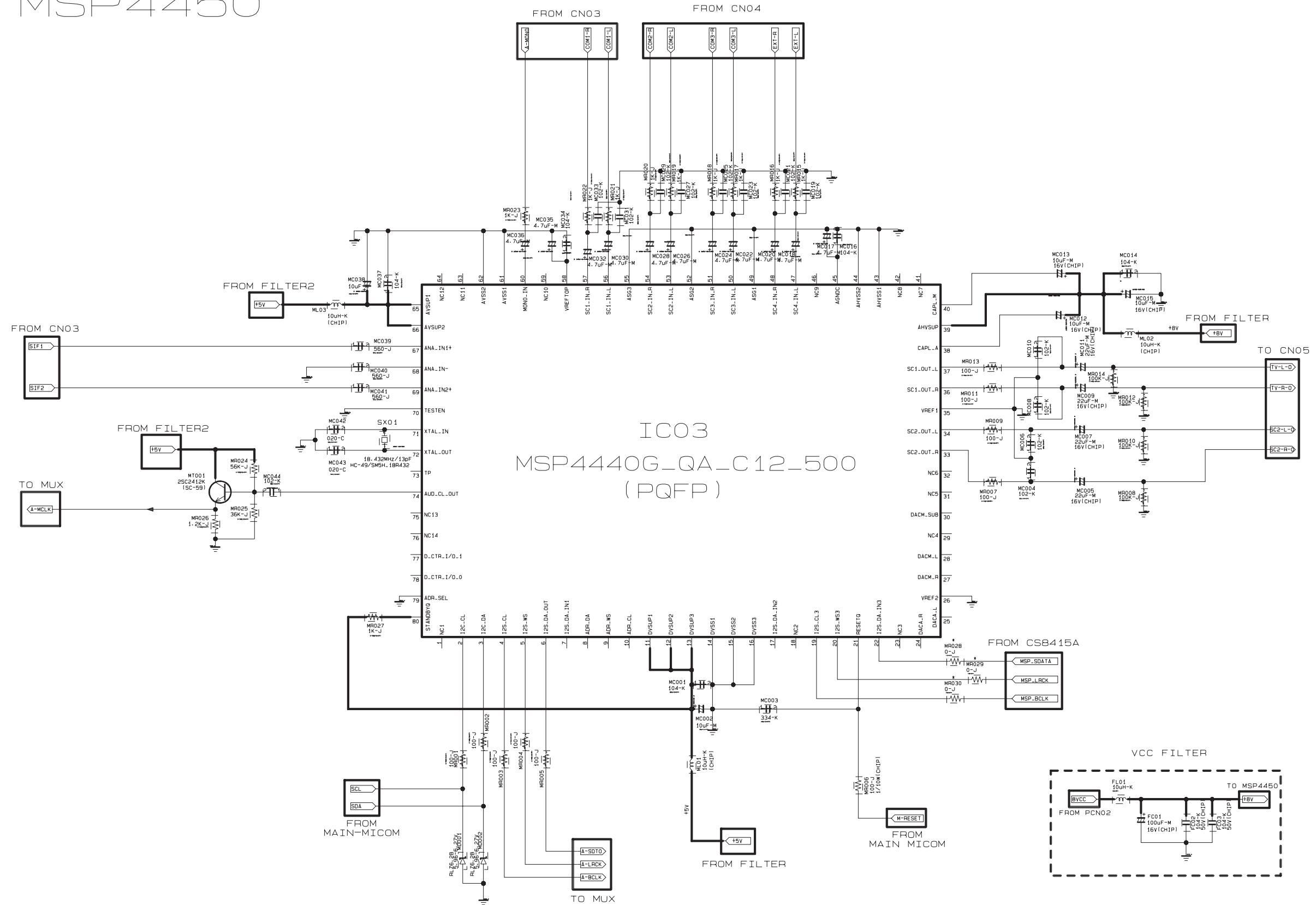


### 7-25 SOUND 2

This Document can not be used without Samsung's authorization.

# MSP4450

3/12









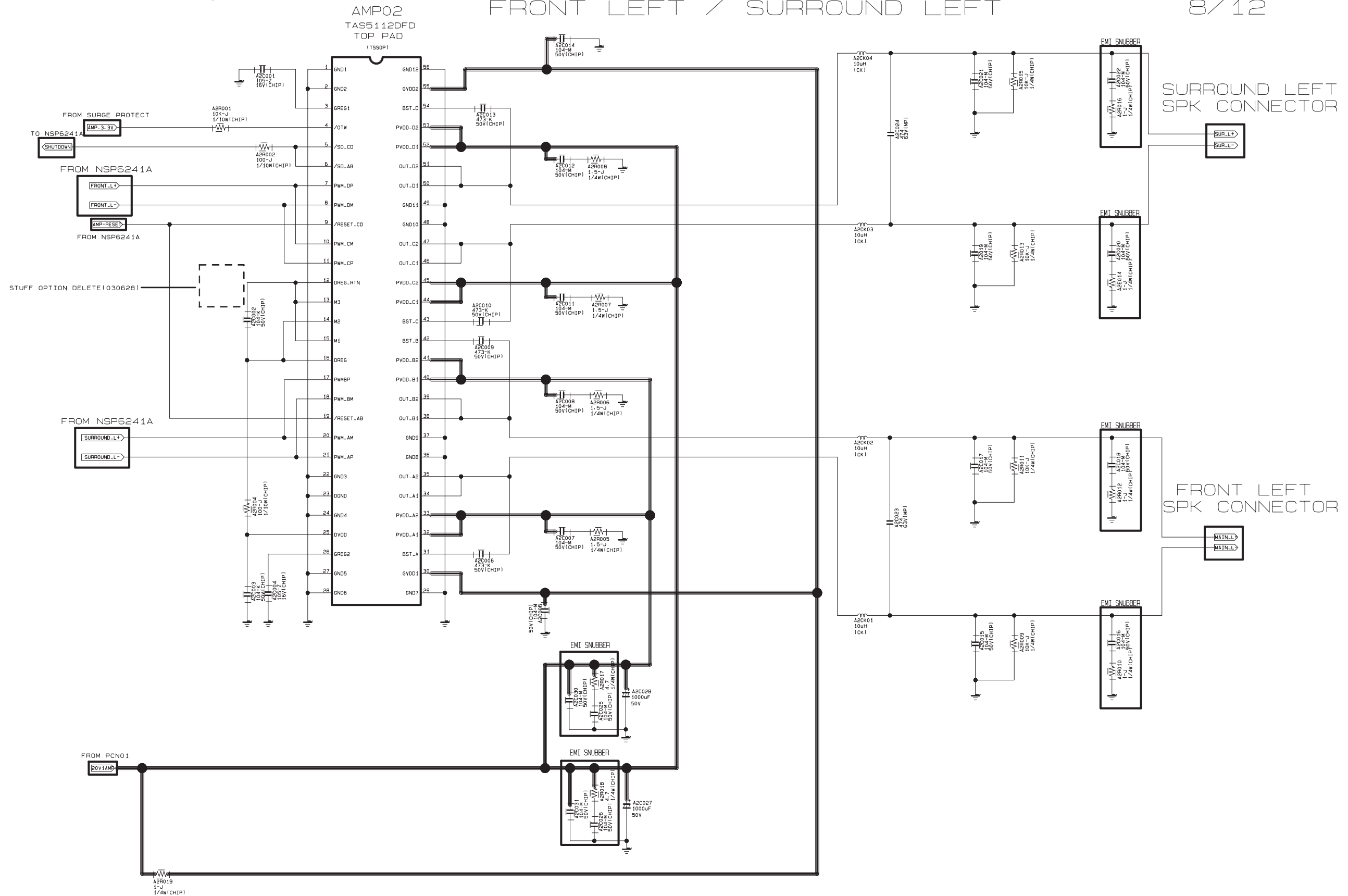


### 7-30 SOUND 7

This Document can not be used without Samsung's authorization.

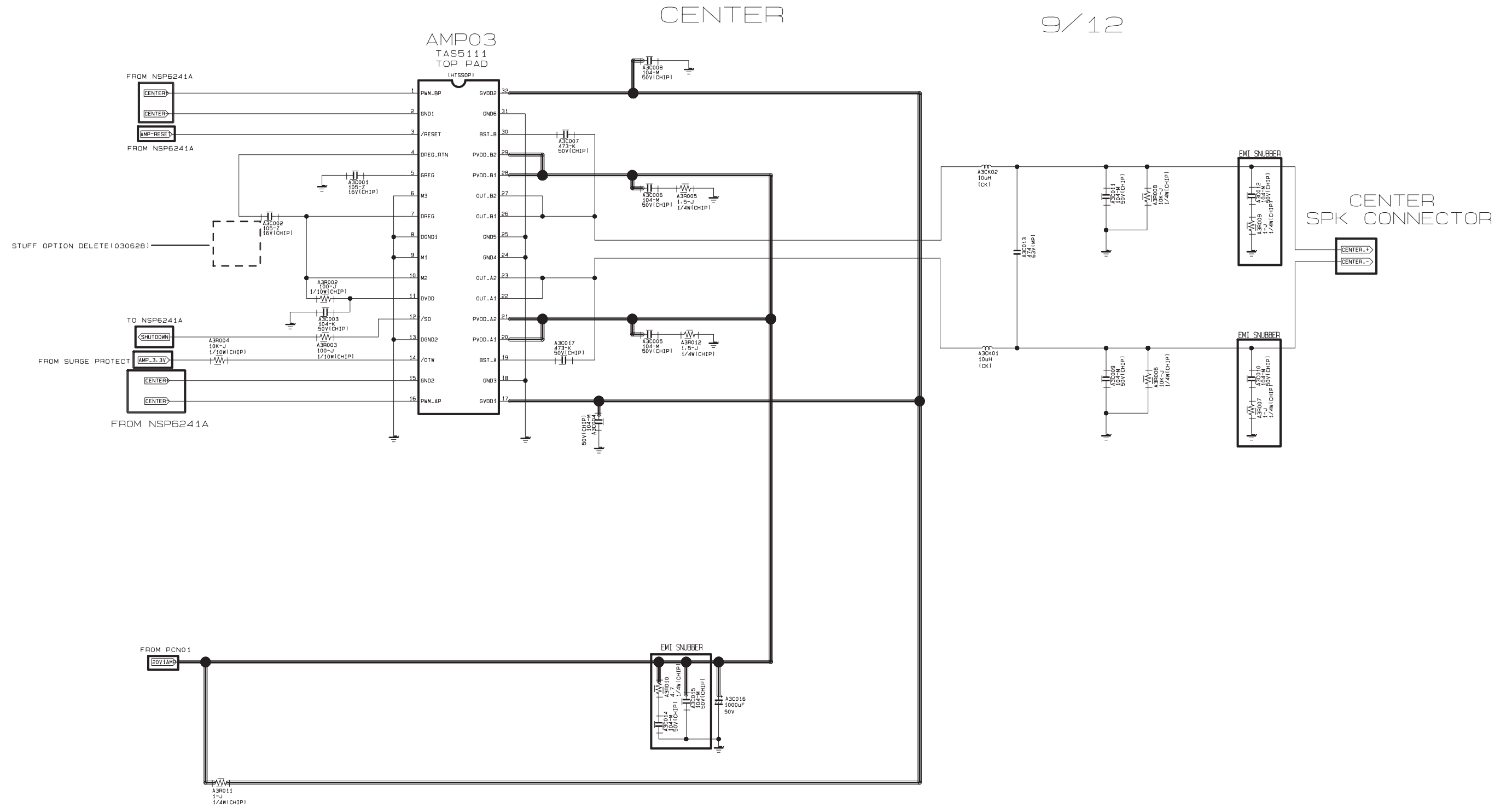
## FRONT LEFT / SURROUND LEFT

8/12



### 7-31 SOUND 8

This Document can not be used without Samsung's authorization.

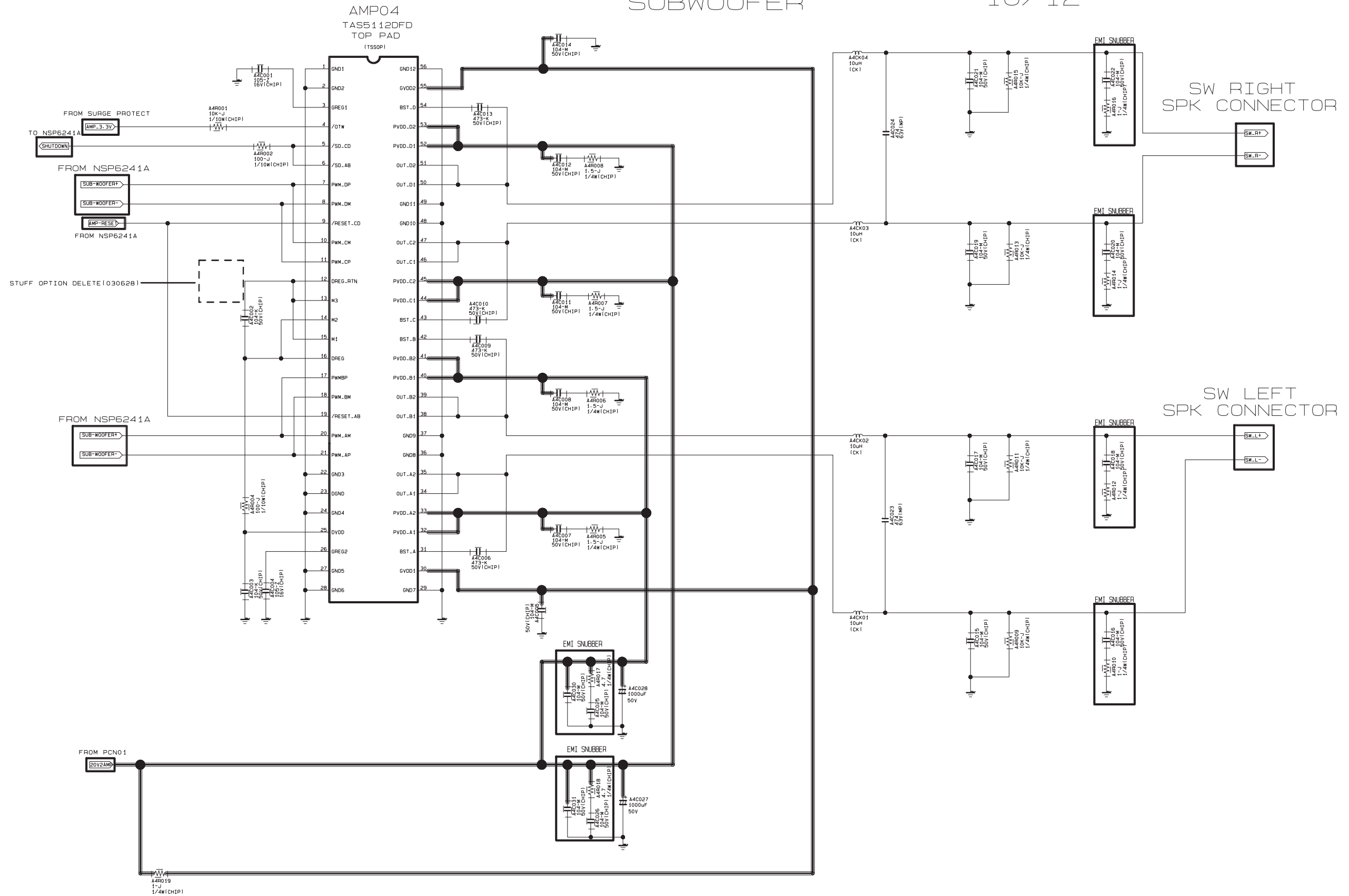


### 7-32 SOUND 9

This Document can not be used without Samsung's authorization.

## SUBWOOFER

10/12

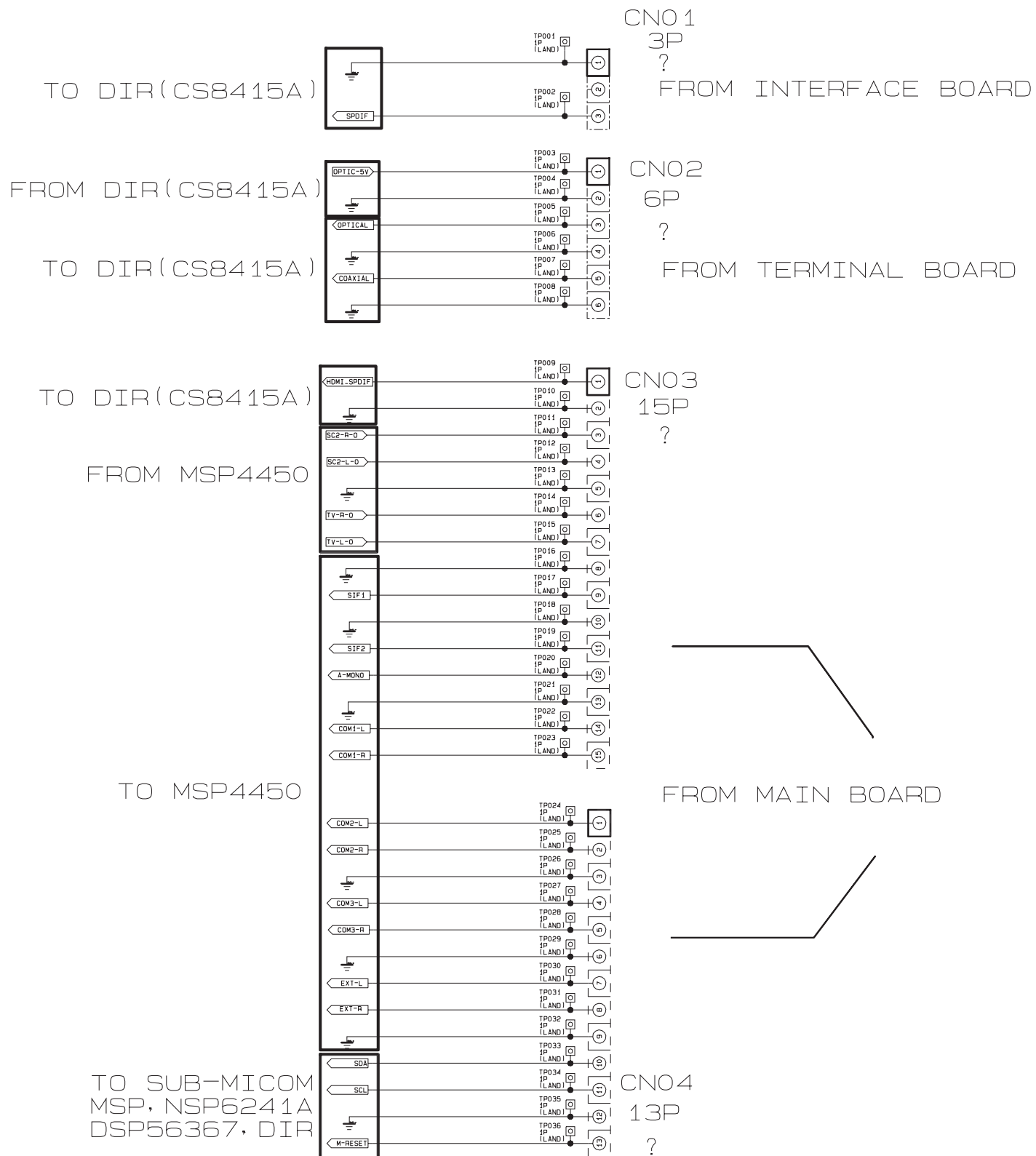




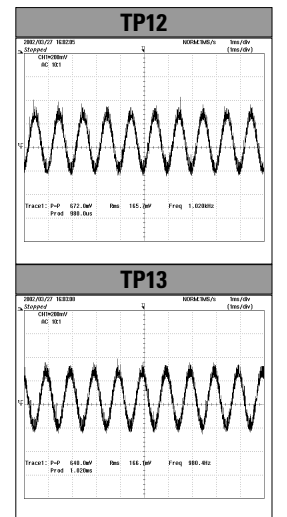
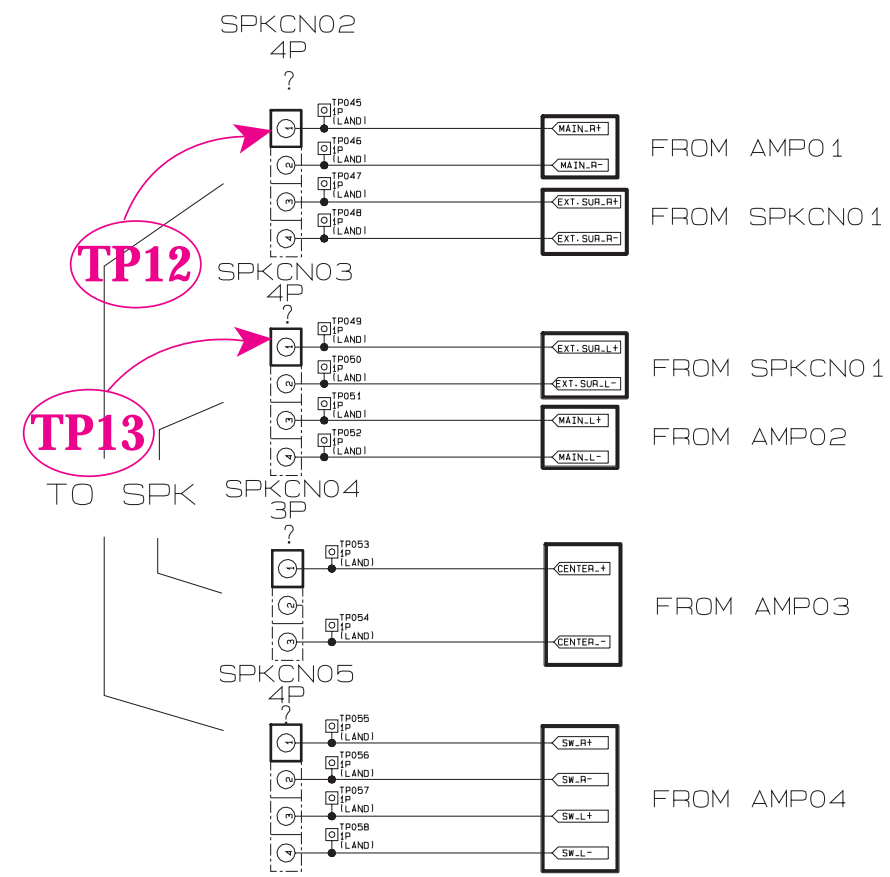
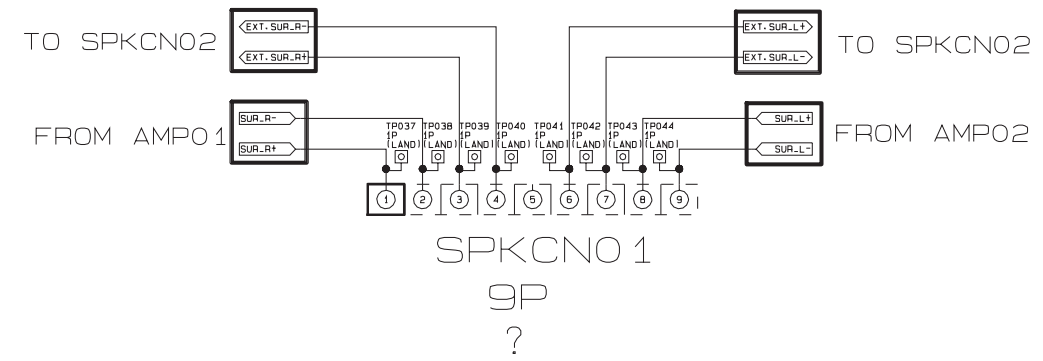
7-33 SOUND 10

This Document can not be used without Samsung's authorization.

CONNECTOR  
(CNO1, CNO2, CNO3, CNO4, SPKCNO1  
SPKCNO2, SPKCNO3, SPKCNO4)



11/12

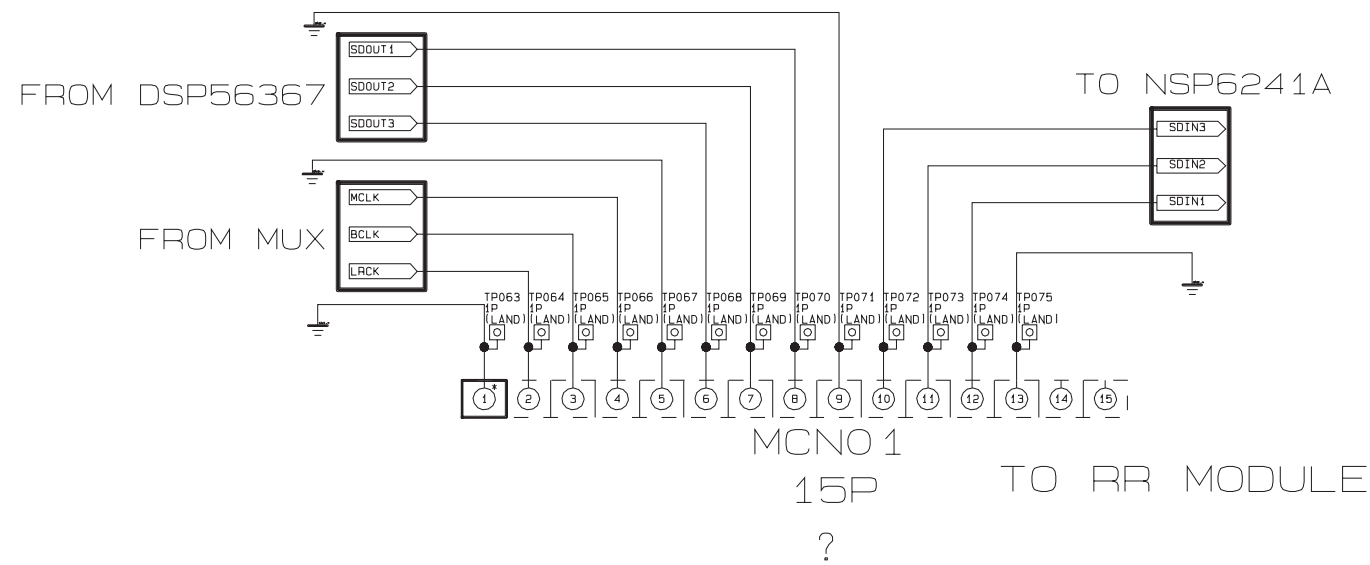


7-34 SOUND 11

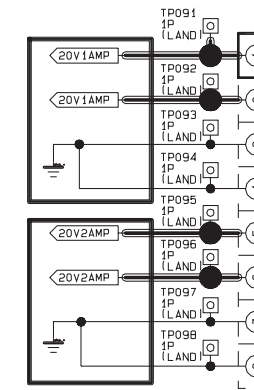
This Document can not be used without Samsung's authorization.

12/12

CONNECTOR  
(MCNO 1, MCNO2, MCNO3  
PCNO 1, PCNO2)



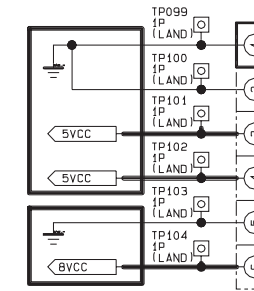
TO AMP01/02/03



TO AMP04  
(SUB-WOOFER)

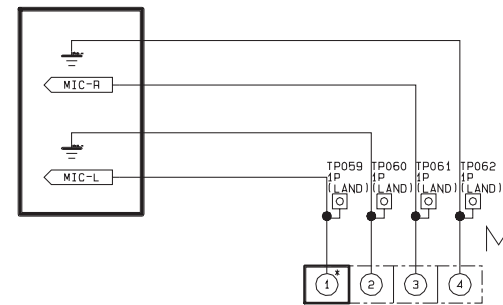
FROM POWER BOARD

TO FILTER



TO FILTER

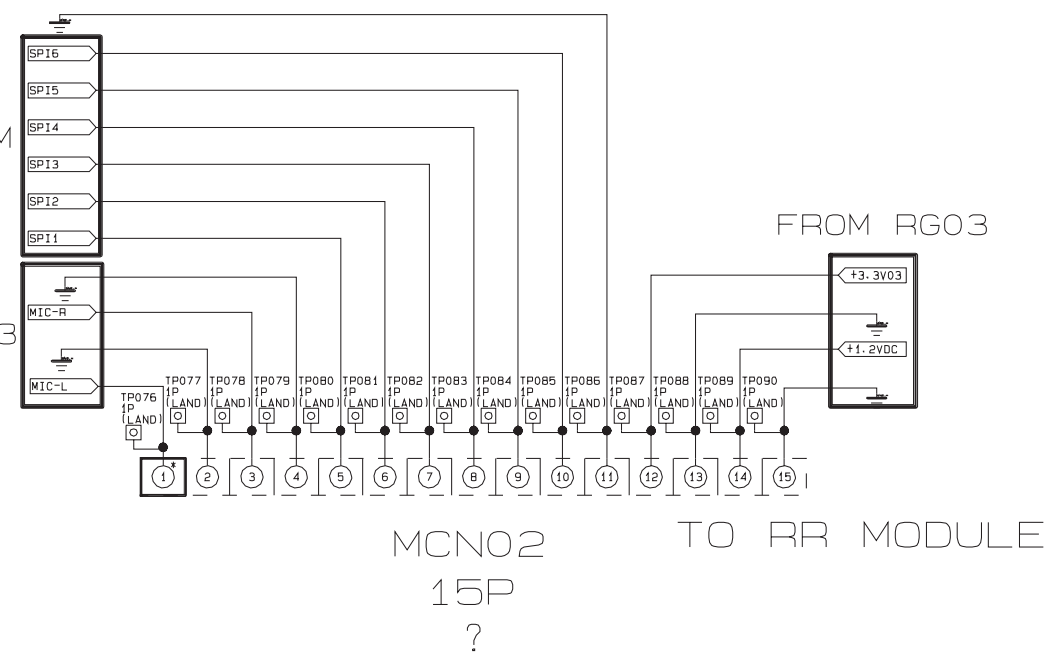
TO MCNO2



FROM TERMINAL BOARD

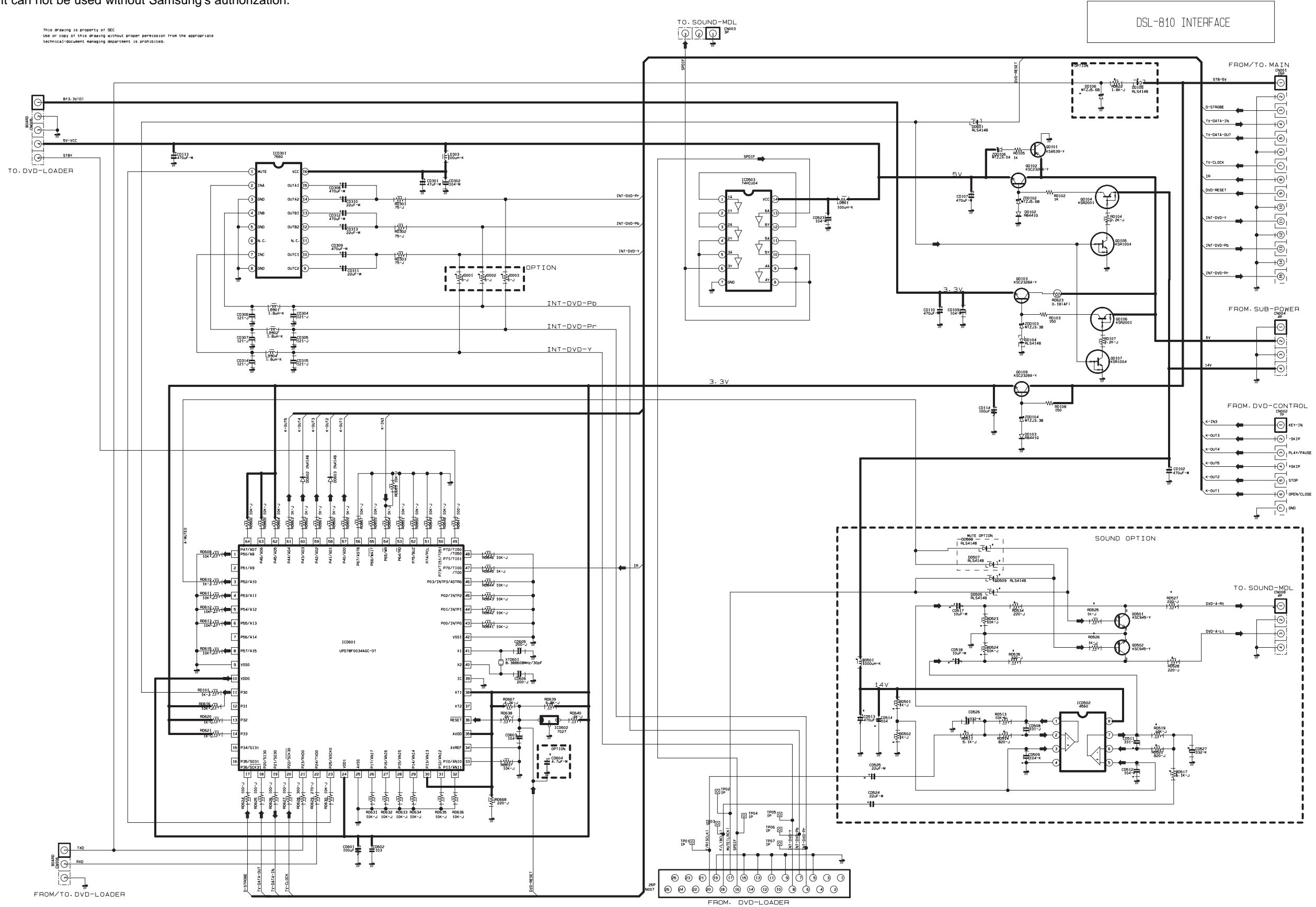
FROM SUB-MICOM

FROM MCNO3



# 7-35 INTERFACE

This Document can not be used without Samsung's authorization.

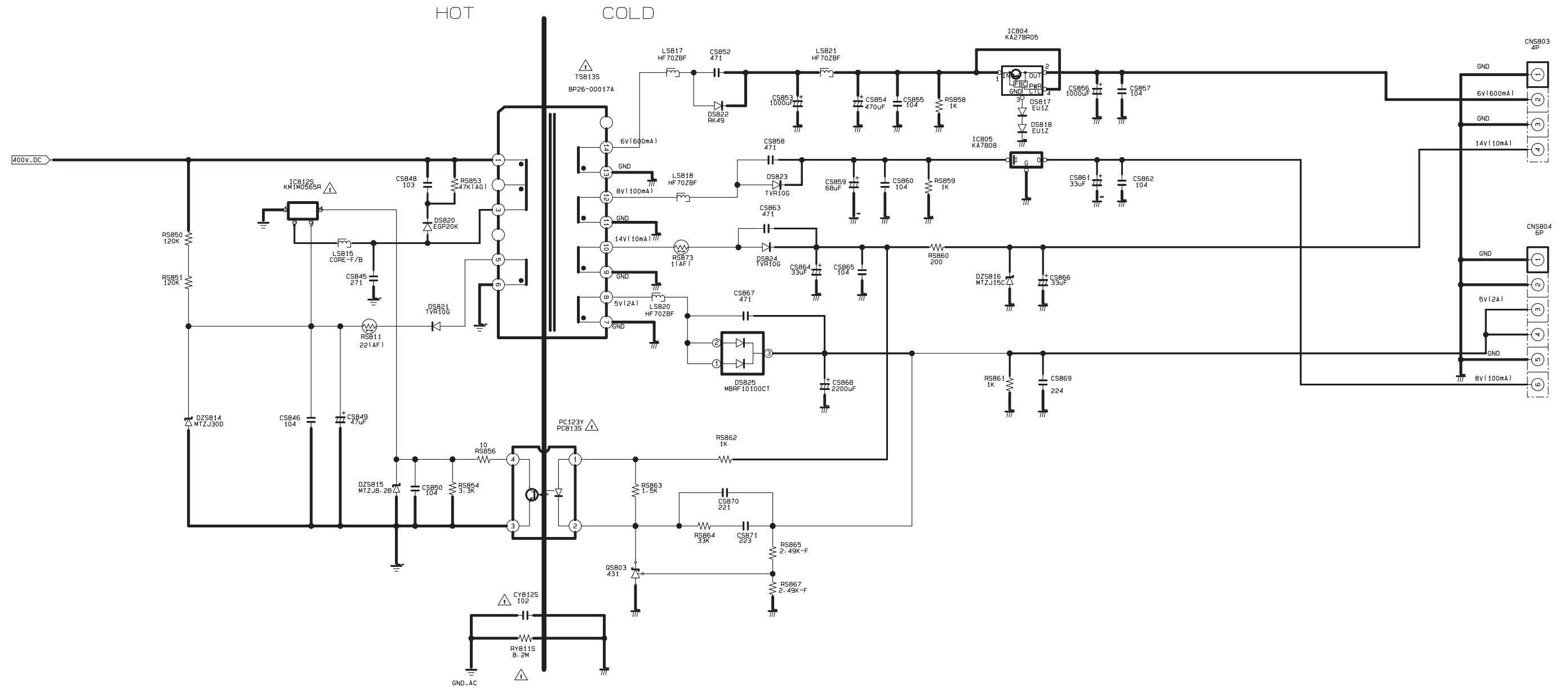




### 7-37 SMPS 2

This Document can not be used without Samsung's authorization.

This drawing is property of SEC  
 Use or copy of this drawing without proper permission from the appropriate  
 technical-document managing department is prohibited.

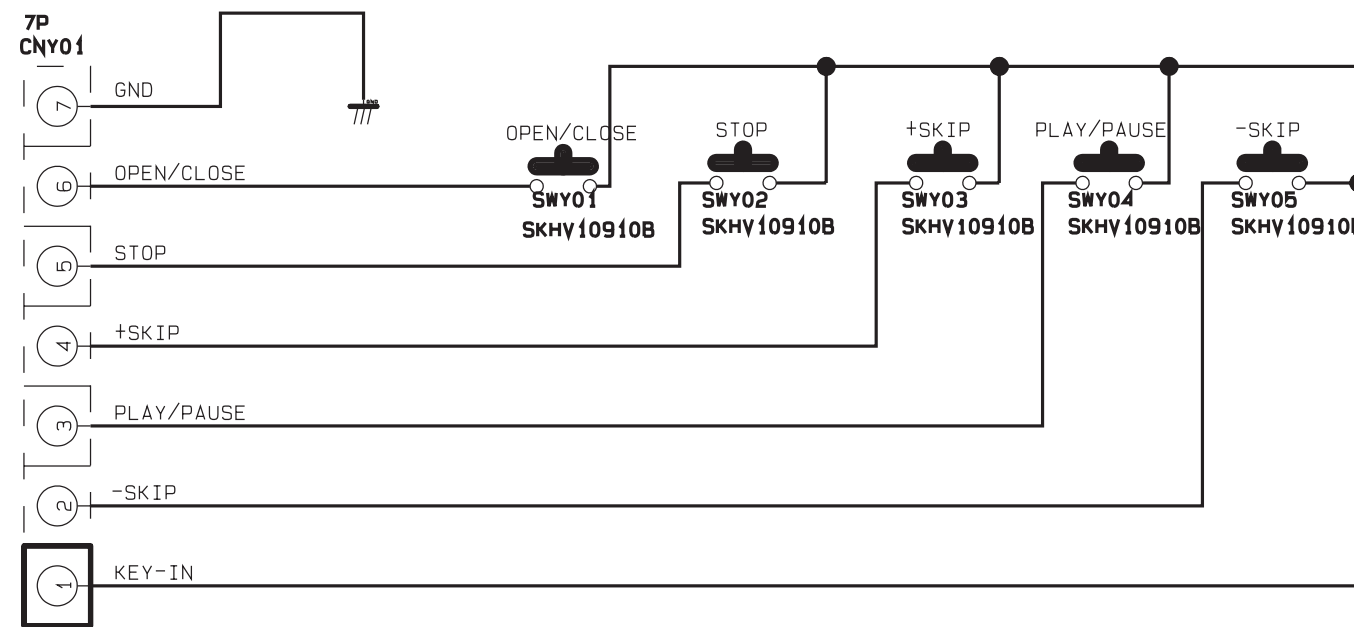


## 7-38 DVD CONTROL / CONTROL

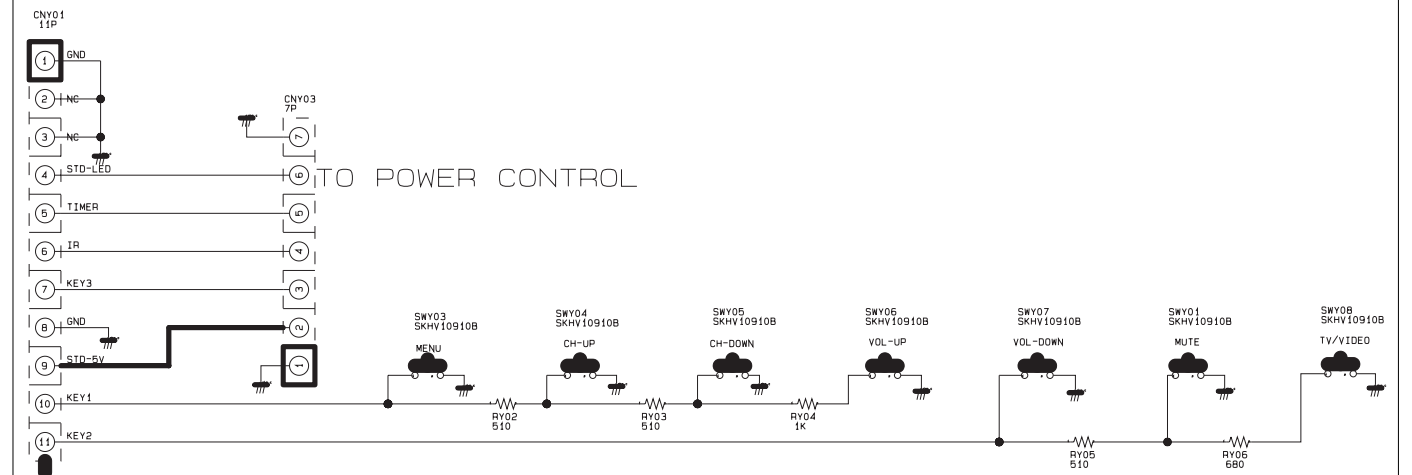
This Document can not be used without Samsung's authorization.

### DVD CONTROL

This drawing is property of SEC  
Use or copy of this drawing without proper permission from the appropriate technical-document managing department is prohibited.

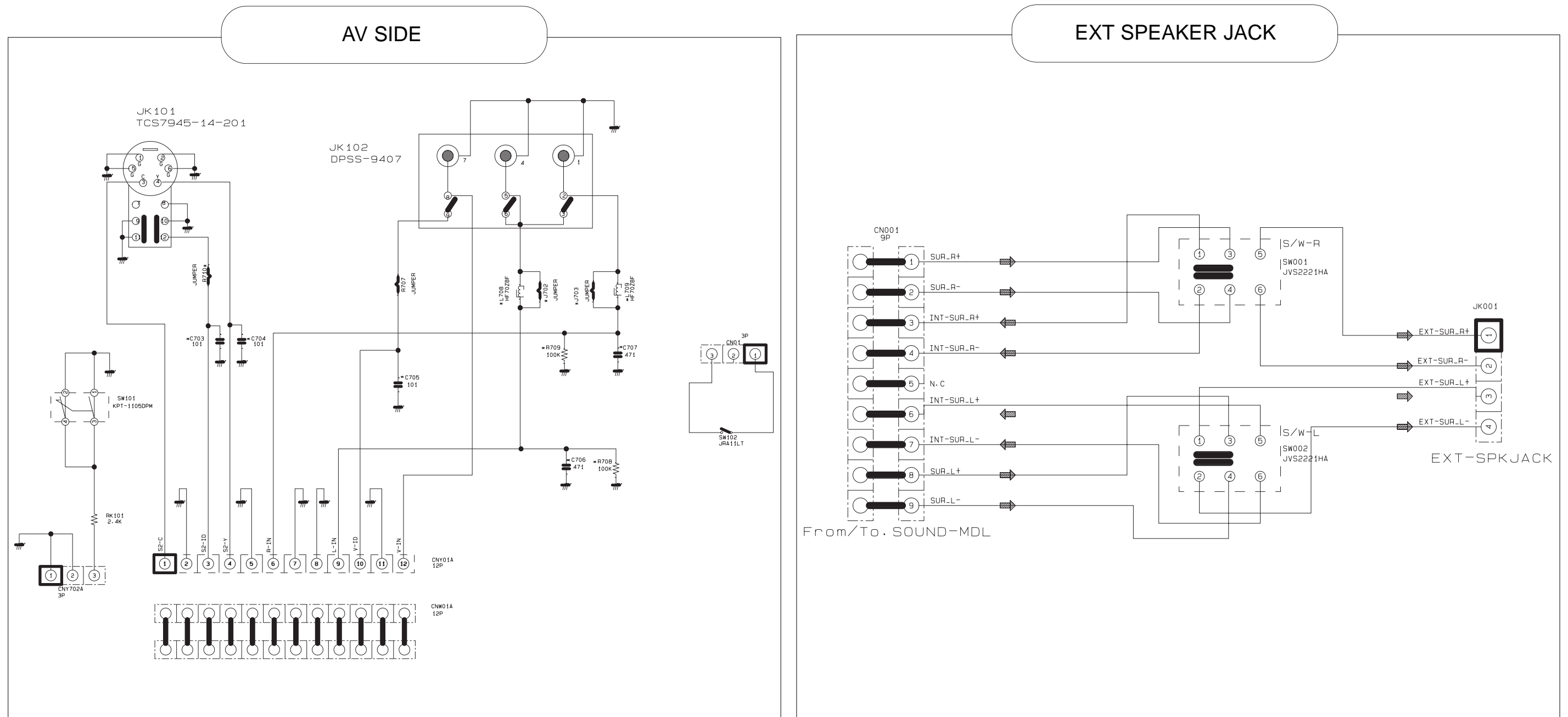


### CONTROL



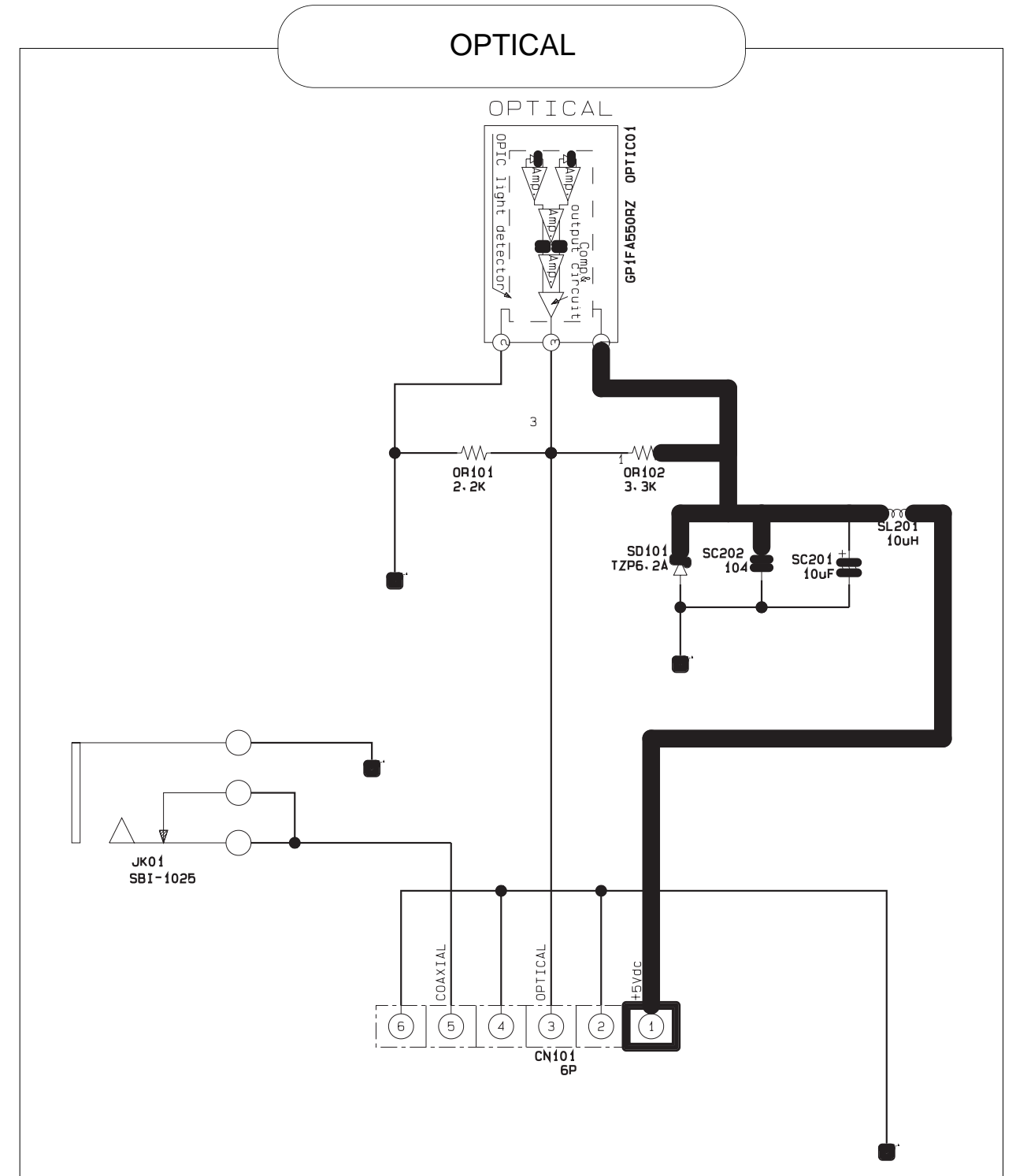
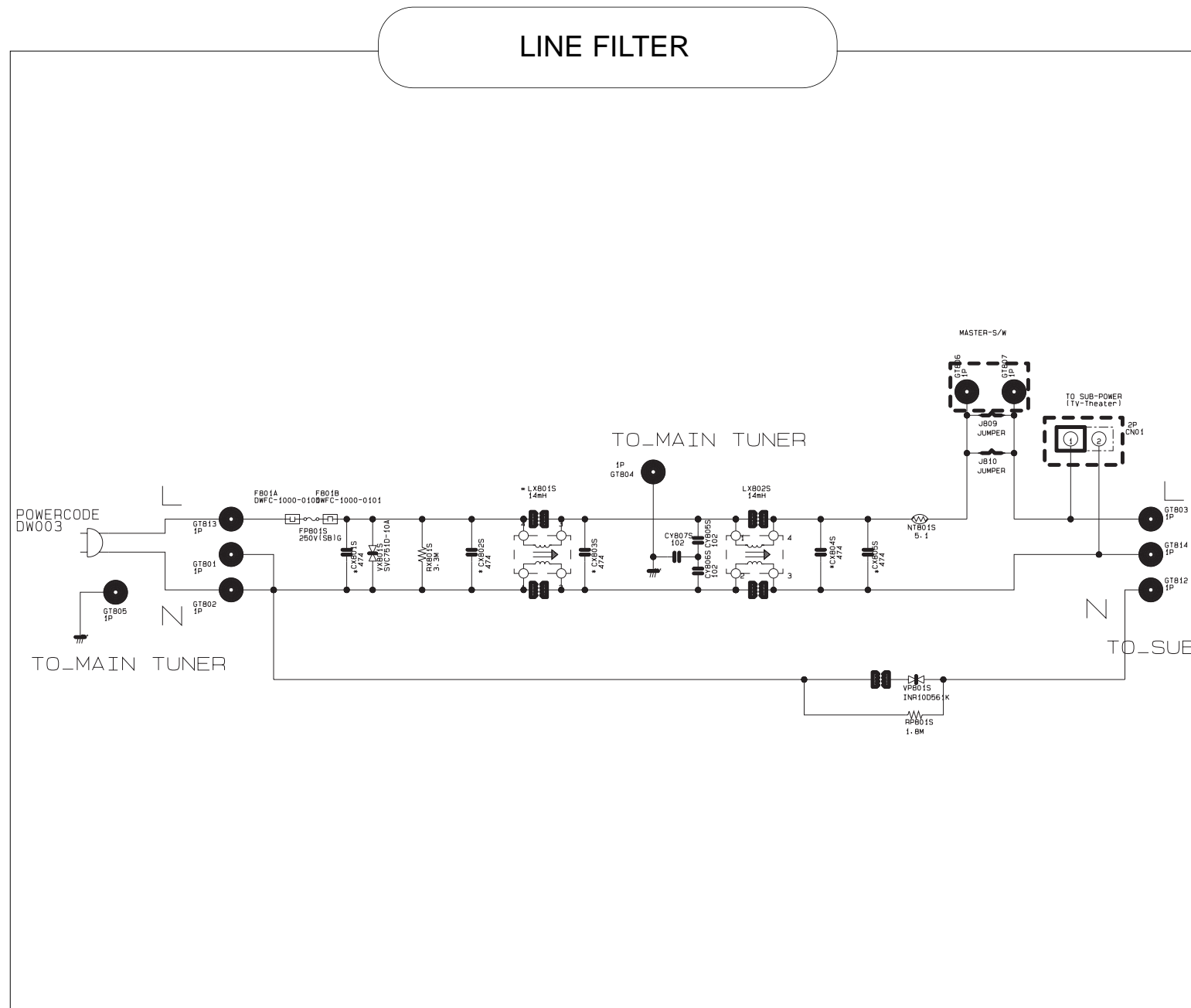
### 7-39 AV SIDE / EXT SPEAKER JACK

This Document can not be used without Samsung's authorization.



### 7-40 LINE FILTER / OPTICAL

This Document can not be used without Samsung's authorization.





# 7-41 CRT

This Document can not be used without Samsung's authorization.

This drawing is property of SEC  
Use or copy of this drawing without proper permission from the appropriate  
technical-document managing department is prohibited.

CHASSIS : P58A  
MODEL : HCN559W  
PCB-CRT  
2003/01/01

